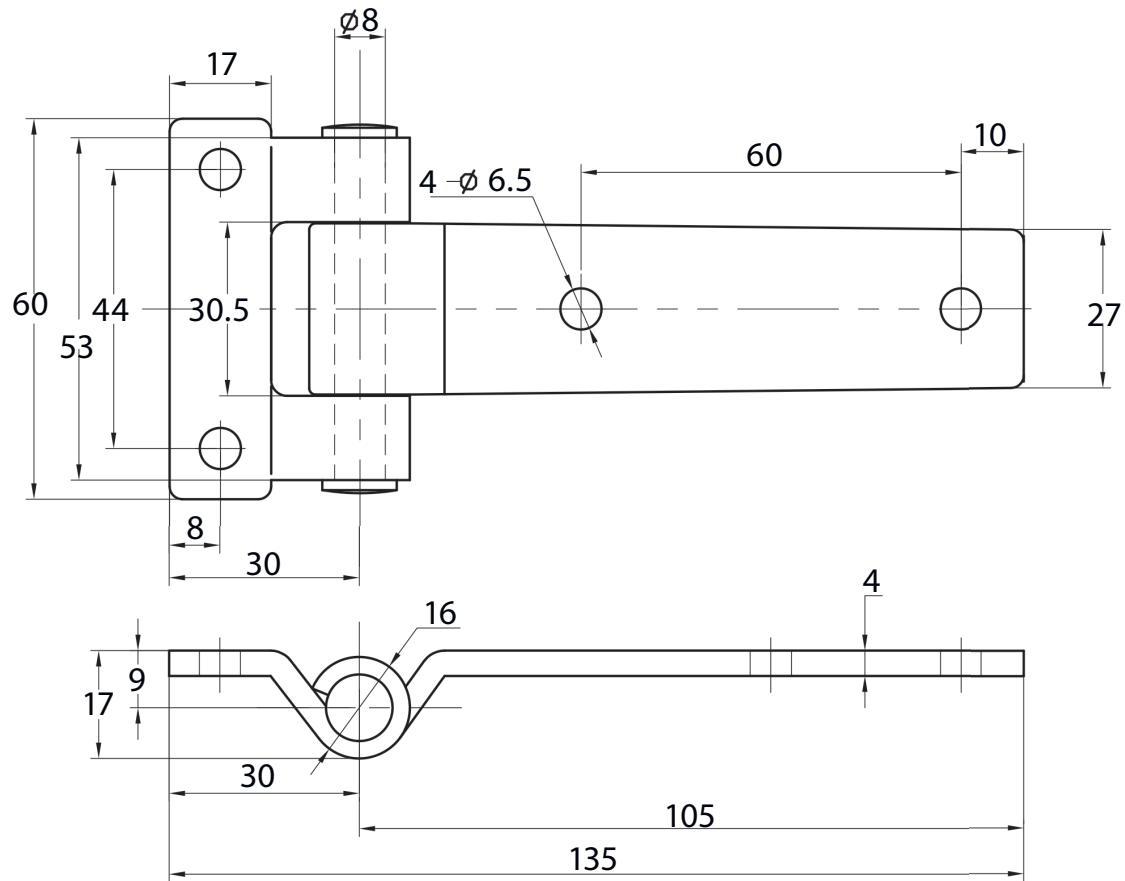


TECHNICAL DRAWING / DESSIN TECHNIQUE



JIMEXS
HARDWARE

1 866 447-5656 / INFO@JIMEXS.COM

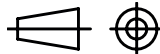
WWW.JIMEXS-HARDWARE.COM

202-221

Hinge
 Penture

2022-01-06

PROJECTIONS



DIMENSIONS

4,13"

MATERIAL / MATÉRIEL Polished stainless steel (304) /

Acier inoxydable poli (304)