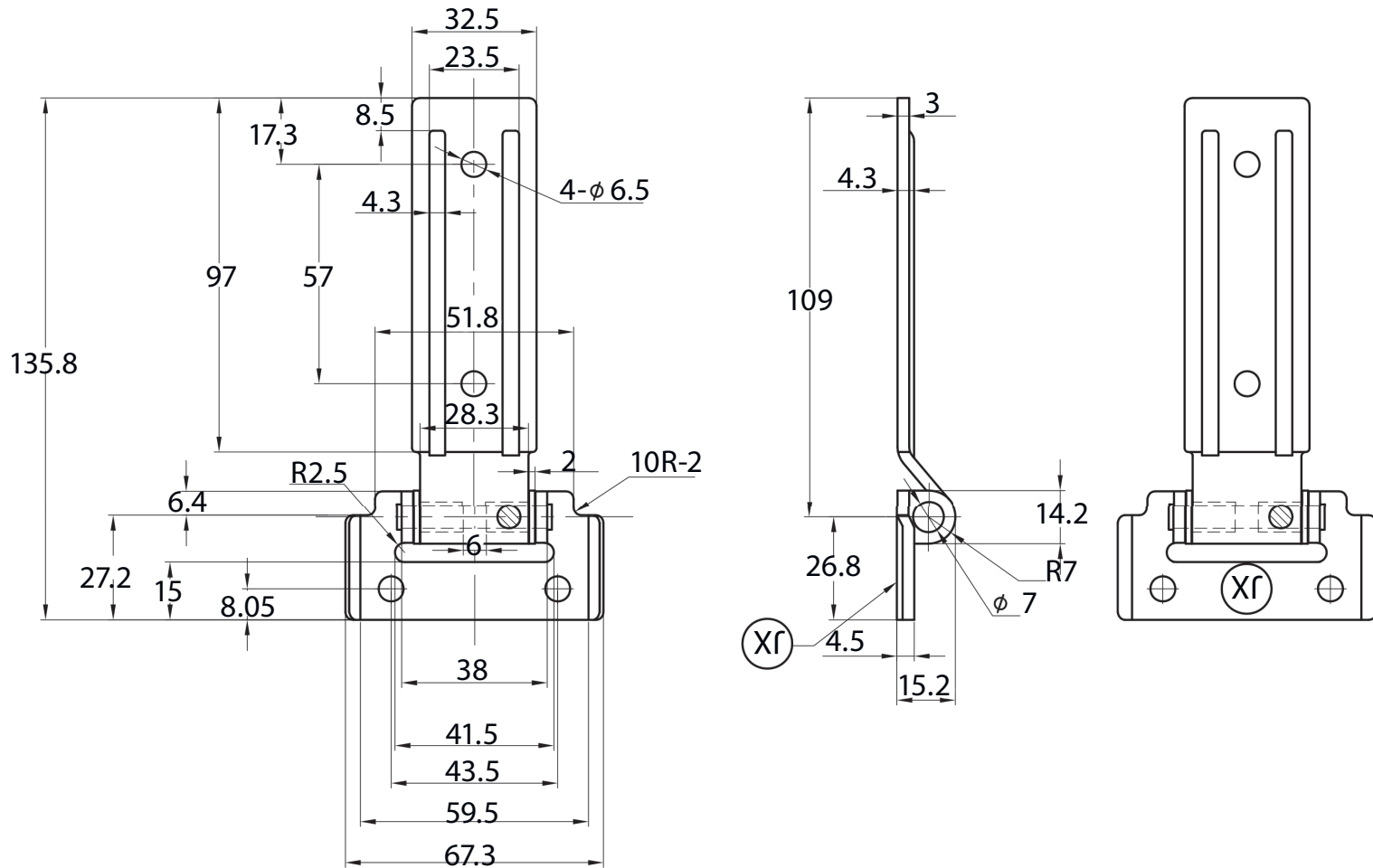


# TECHNICAL DRAWING / DESSIN TECHNIQUE



**JIMEXS**  
**HARDWARE**

1 866 447-5656 / INFO@JIMEXS.COM

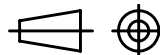
WWW.JIMEXS-HARDWARE.COM

202-241

Hinge  
 Penture

2022-01-06

PROJECTIONS



DIMENSIONS 4, 25" (108mm)  
 MATERIAL / MATÉRIEL Polished stainless steel (304) /  
 Acier inoxydable poli (304)