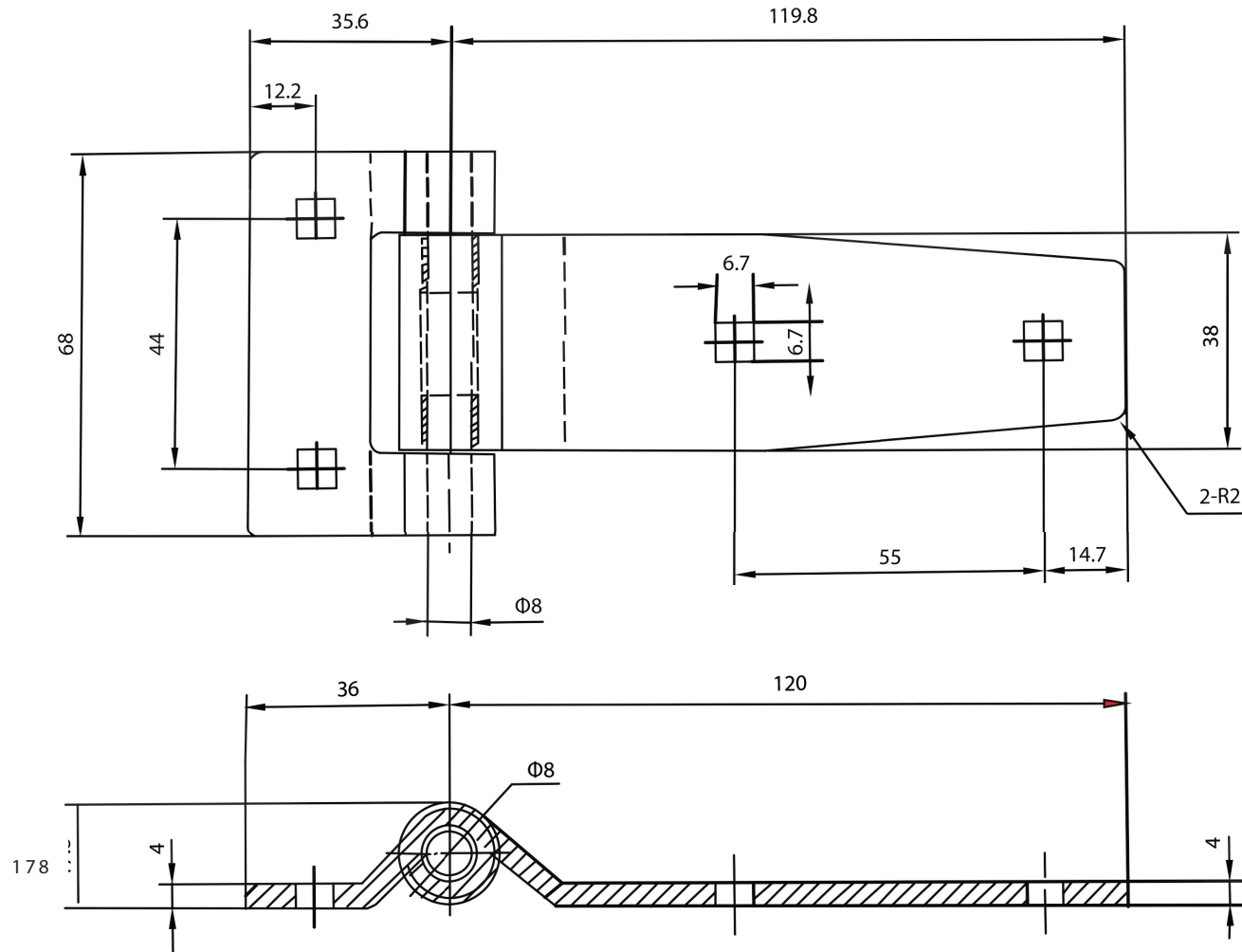


TECHNICAL DRAWING / DESSIN TECHNIQUE



JIMEXS
HARDWARE

1 866 447-5656 / INFO@JIMEXS.COM

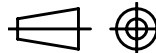
WWW.JIMEXS-HARDWARE.COM

202-255

Hinge (square holes)
 Penture (trous carrés)

2022-01-06

PROJECTIONS



DIMENSIONS

4,92"

MATERIAL / MATÉRIEL

Polished stainless steel (304) /
 Acier inoxydable poli (304)