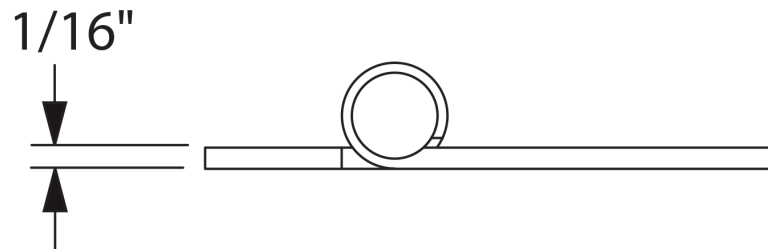
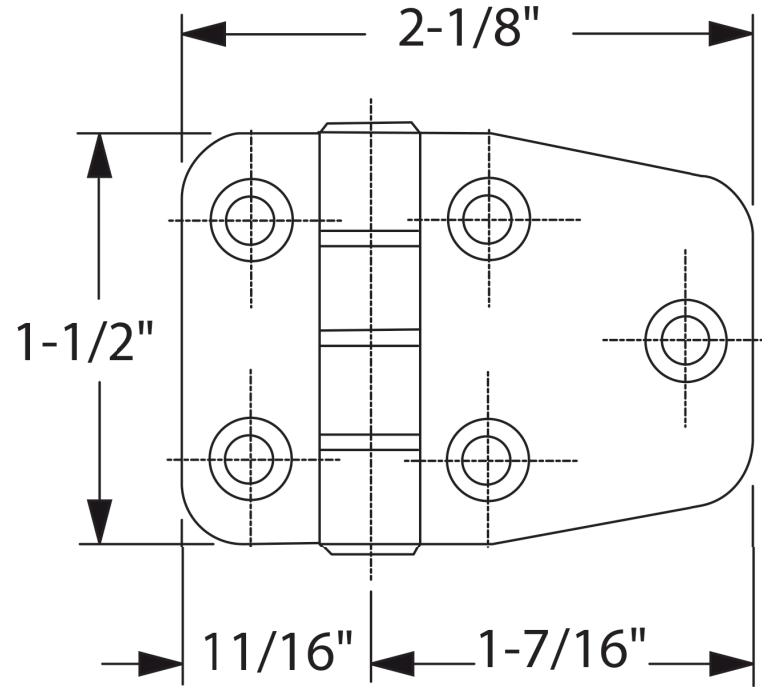


TECHNICAL DRAWING / DESSIN TECHNIQUE



JIMEXS
HARDWARE

1 866 447-5656 / INFO@JIMEXS.COM

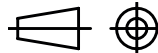
WWW.JIMEXS-HARDWARE.COM

202-401

Hinge
Penture

2022-01-06

PROJECTIONS



DIMENSIONS

2-1/8" x 1-1/2"

MATERIAL / MATÉRIEL Stamped stainless steel (304) /

Acier inoxydable estampée (304)