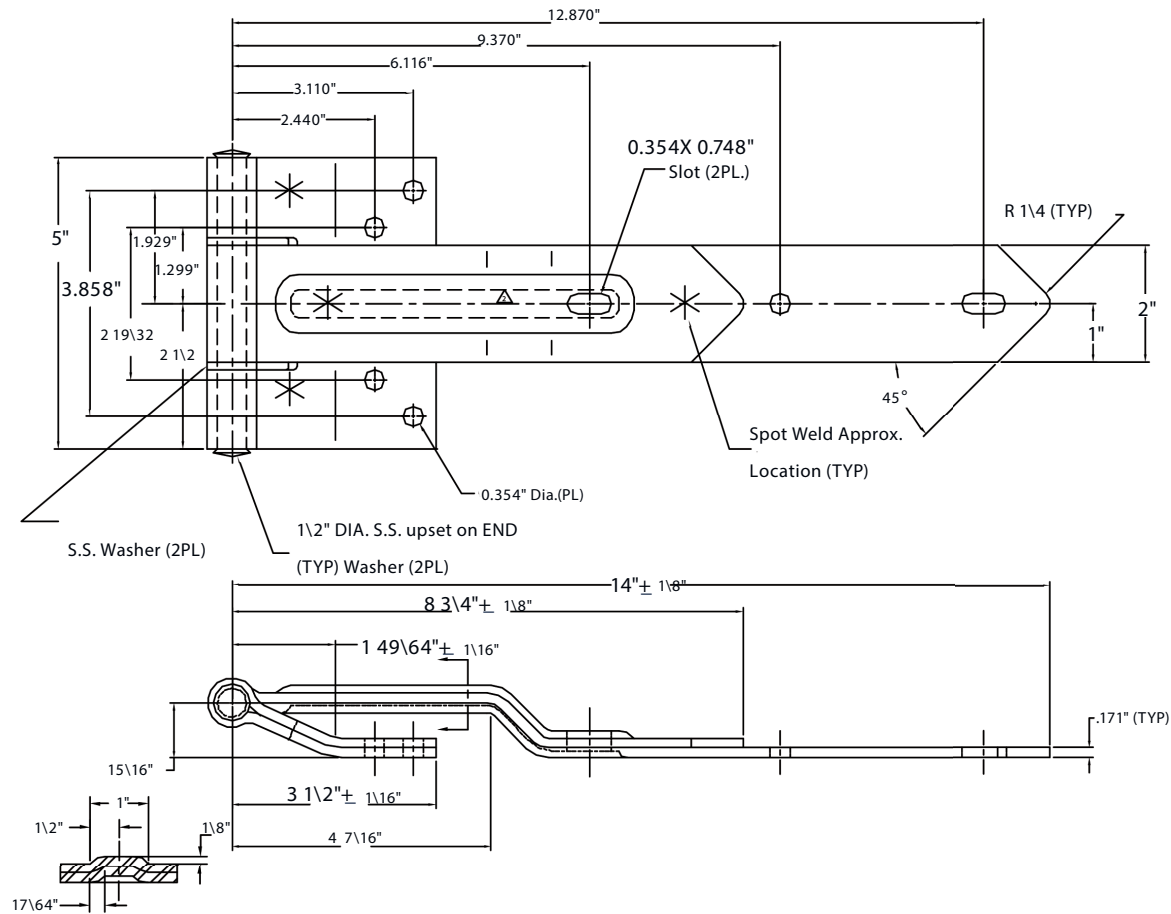


# TECHNICAL DRAWING / DESSIN TECHNIQUE



**JIMEXS**  
**HARDWARE**

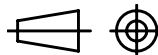
1 866 447-5656 / INFO@JIMEXS.CO M  
 WWW.JIMEXS-HARDWARE.COM

204-414

Flush hinge  
 Penture affleurée

2021-04-20

PROJECTIONS



DIMENSIONS

14,00" x 5,00"

MATERIAL / MATÉRIEL

Aluminum / Aluminium