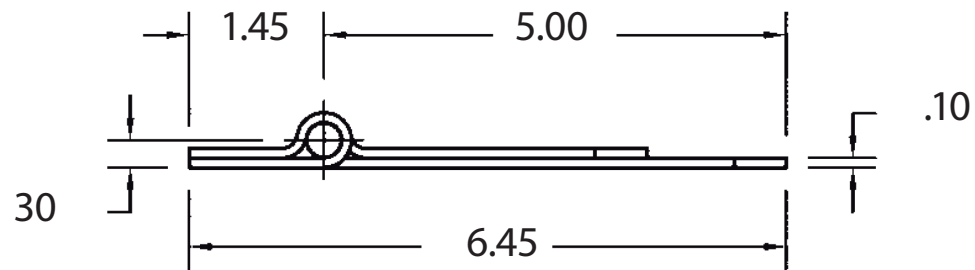
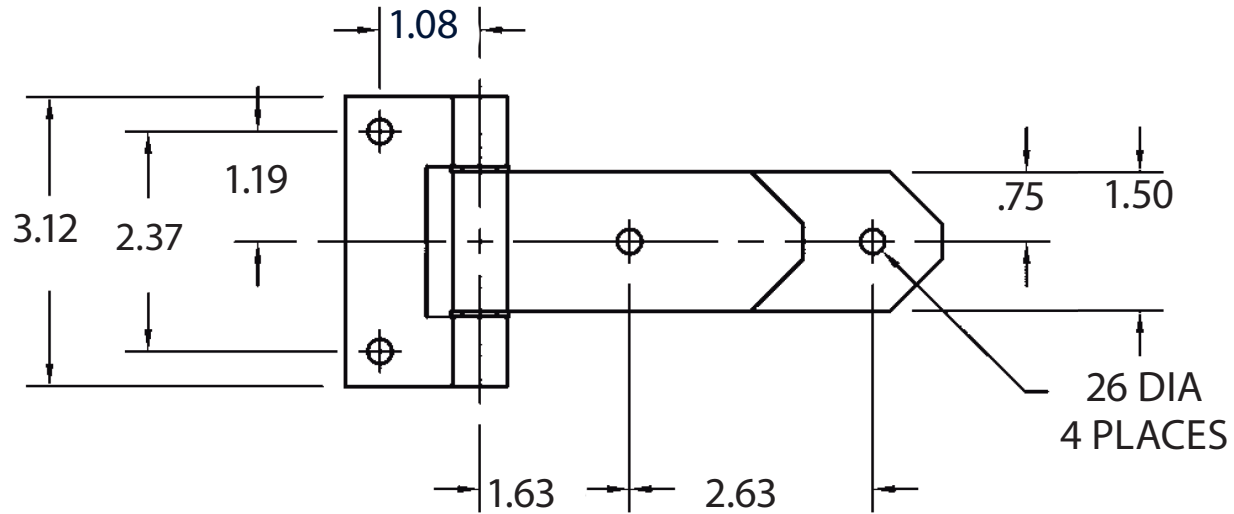


TECHNICAL DRAWING / DESSIN TECHNIQUE



JIMEXS
HARDWARE

1 866 447-5656 / INFO@JIMEXS.COM

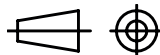
WWW.JIMEXS-HARDWARE.COM

204-536

Strap Hinge - two hole butt
 Penture à lame - talon à 2 trous

10-05-2019

PROJECTIONS



DIMENSIONS

5.00" x 3.125" x 1.50"