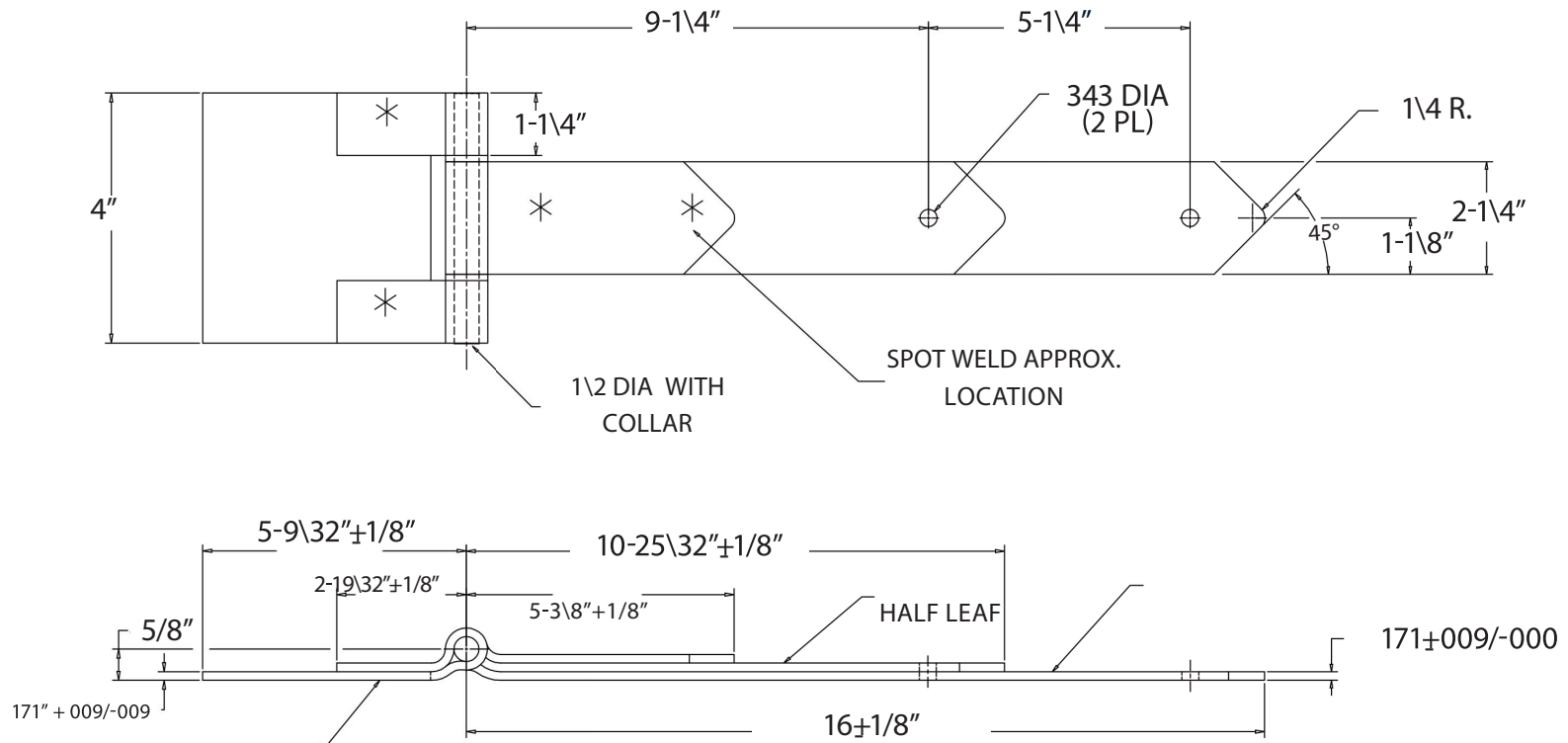


TECHNICAL DRAWING / DESSIN TECHNIQUE



JIMEXS
HARDWARE

1 866 447-5656 / INFO@JIMEXS.COM

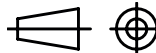
WWW.JIMEXS-HARDWARE.COM

204-726

Strap Hinge
 Penture à lame

2021-04-20

PROJECTIONS



DIMENSIONS

16,00" x 4,00"

MATERIAL / MATÉRIEL

Steel - zinc plated /
 Acier - plaqué zinc