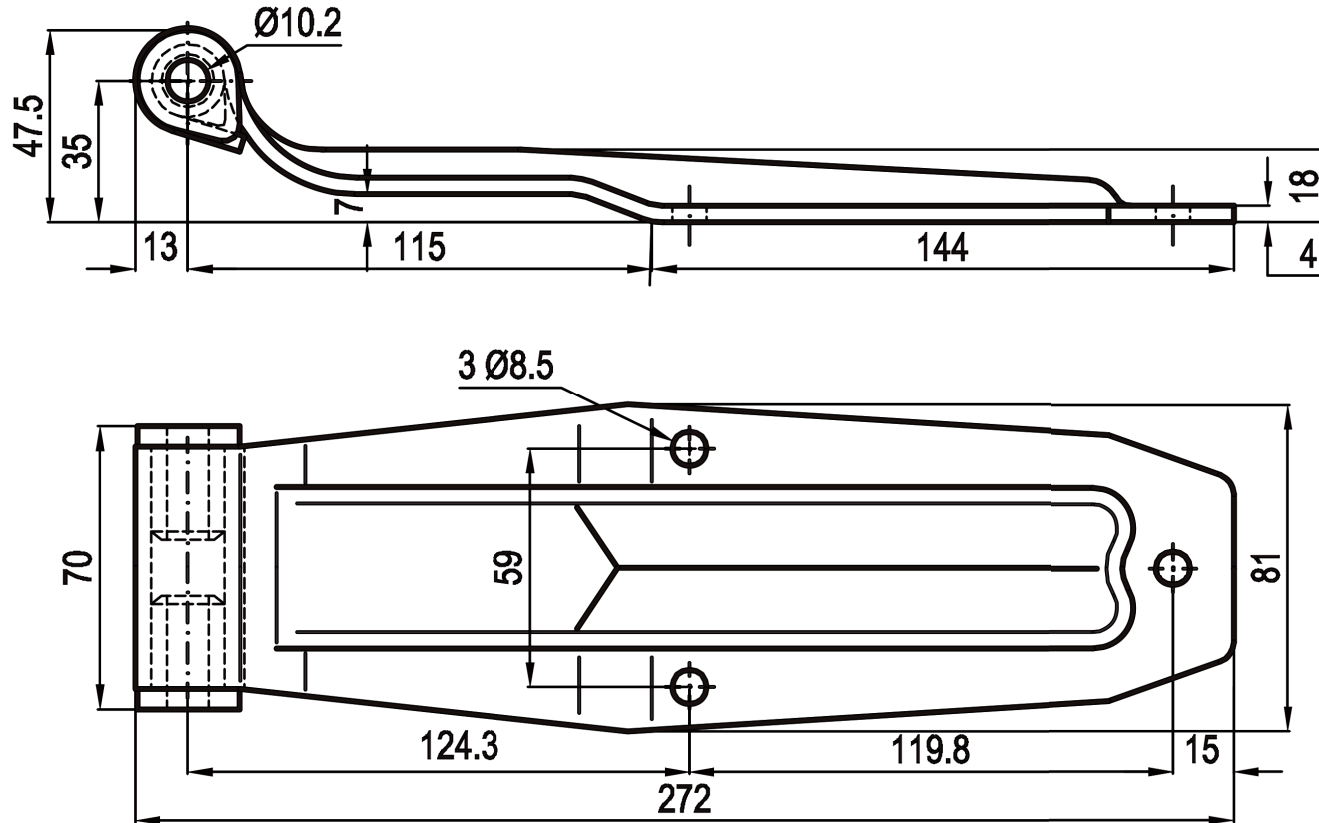


TECHNICAL DRAWING / DESSIN TECHNIQUE



JIMEXS
HARDWARE

1 866 447-5656 / INFO@JIMEXS.COM

WWW.JIMEXS-HARDWARE.COM

204-801

Hinge
 Penture

2021-04-20

PROJECTIONS



DIMENSIONS

MATERIAL / MATÉRIEL

10,20" x 3,19" / 259mm x 81mm

Polished Stainless Steel (304) /

Acier Inoxydable Poli (304)