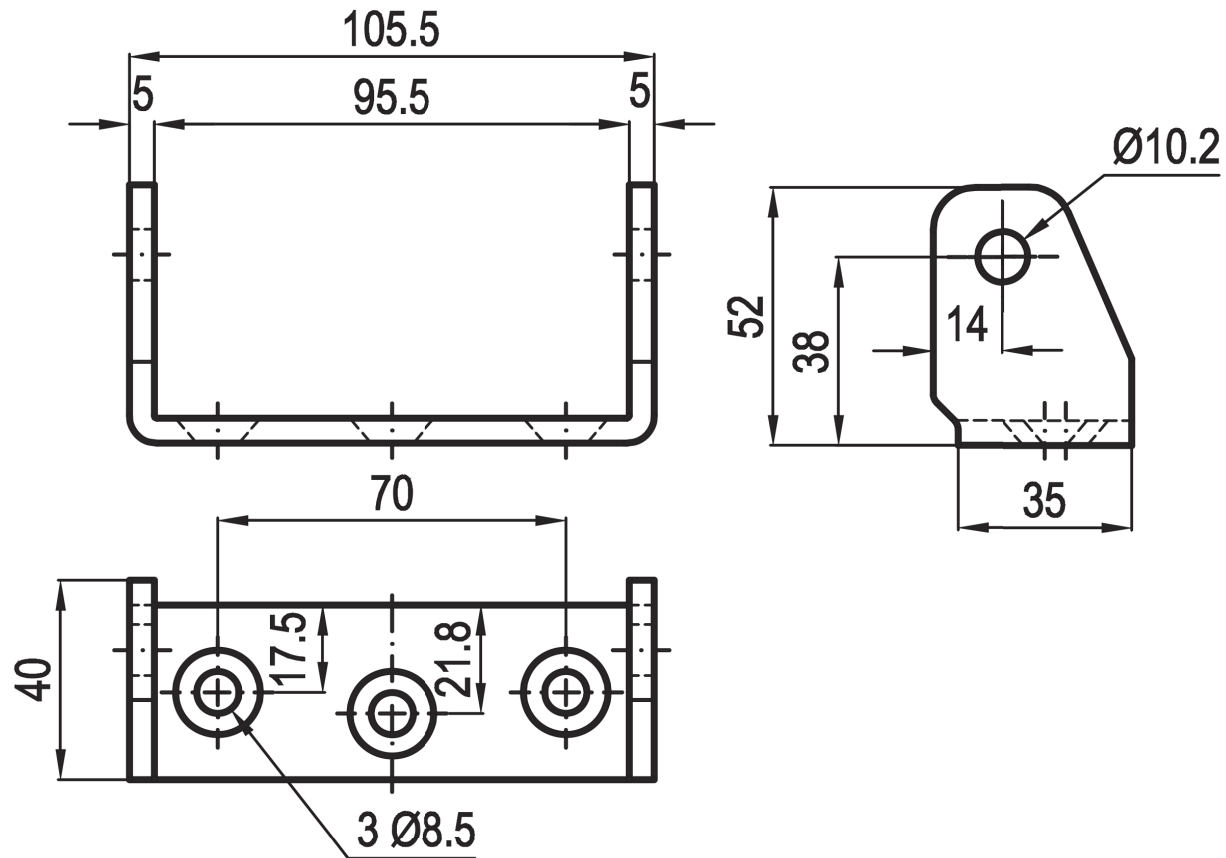


# TECHNICAL DRAWING / DESSIN TECHNIQUE



**JIMEXS**  
**HARDWARE**

1 866 447-5656 / INFO@JIMEXS.COM

WWW.JIMEXS-HARDWARE.COM

204-884

Bracket

Support de talon

2021-04-21

PROJECTIONS



DIMENSIONS

MATERIAL / MATÉRIEL

105.5 mm x 40 mm

Polished Stainless Steel (304) /

Acier Inoxydable Poli (304)