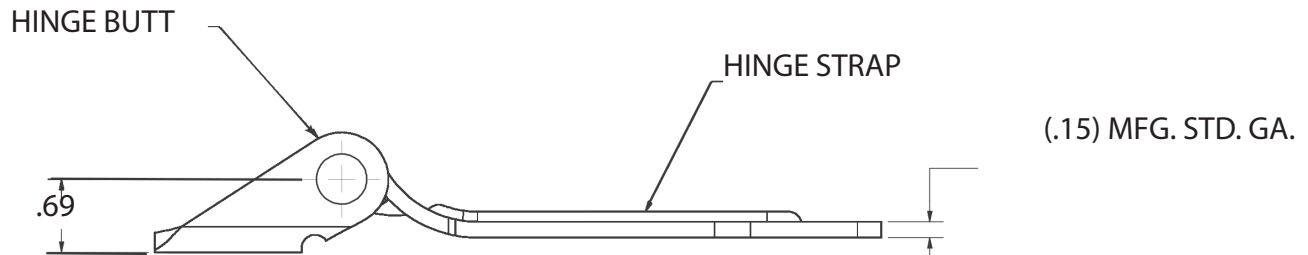
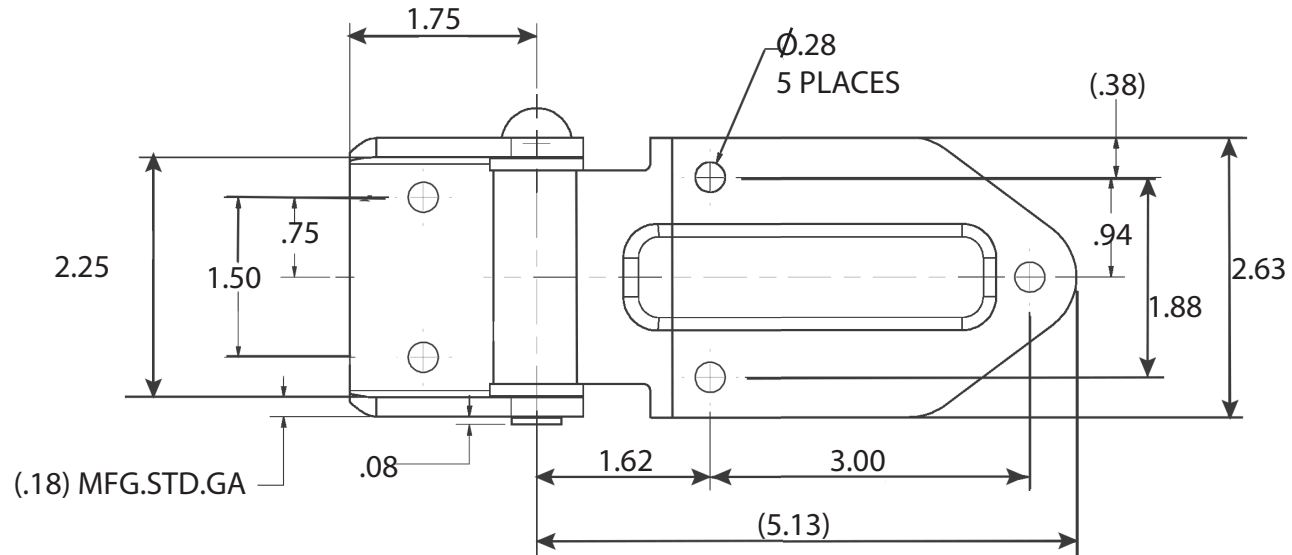


TECHNICAL DRAWING / DESSIN TECHNIQUE



JIMEXS
HARDWARE

1 866 447-5656 / INFO@JIMEXS.COM

WWW.JIMEXS-HARDWARE.COM

204-901

Hinge - fixed pin
 Penture - tige fixe

2021-04-21

PROJECTIONS



DIMENSIONS

5,00" x 2,00"

MATERIAL / MATÉRIEL

Steel - zinc plated /

FINISH/ FINI

Acier - plaqué zinc