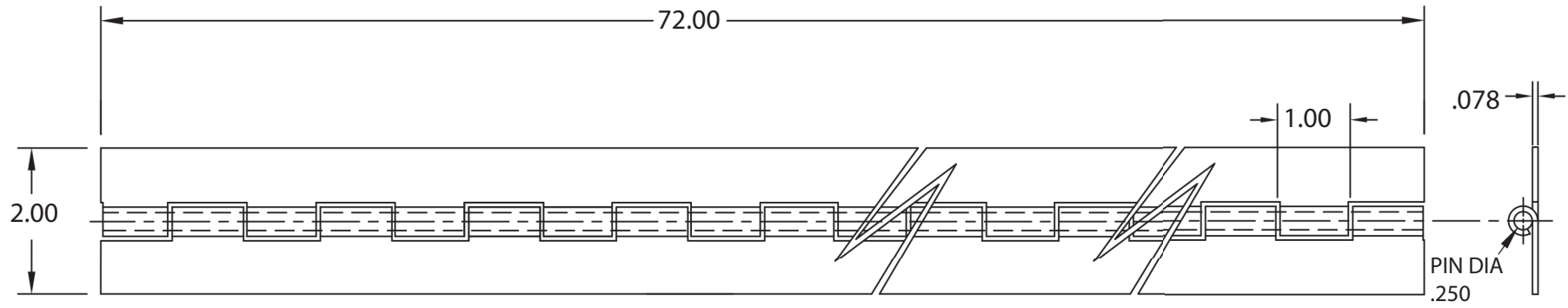


TECHNICAL DRAWING / DESSIN TECHNIQUE



JIMEXS
HARDWARE

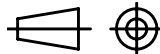
1 866 447-5656 / INFO@JIMEXS.COM
WWW.HARDWARE.COM

210-205

Piano hinge
Penture piano

2021-09-21

PROJECTIONS



DIMENSIONS

72" x 2" Open / Ouvert
0,078" Thickness / Epaisseur
0,250" pin diam. / Diam. de tige
1" knuckle / Articulation

MATERIAL/MATÉRIEL Plain Steel / Acier brut