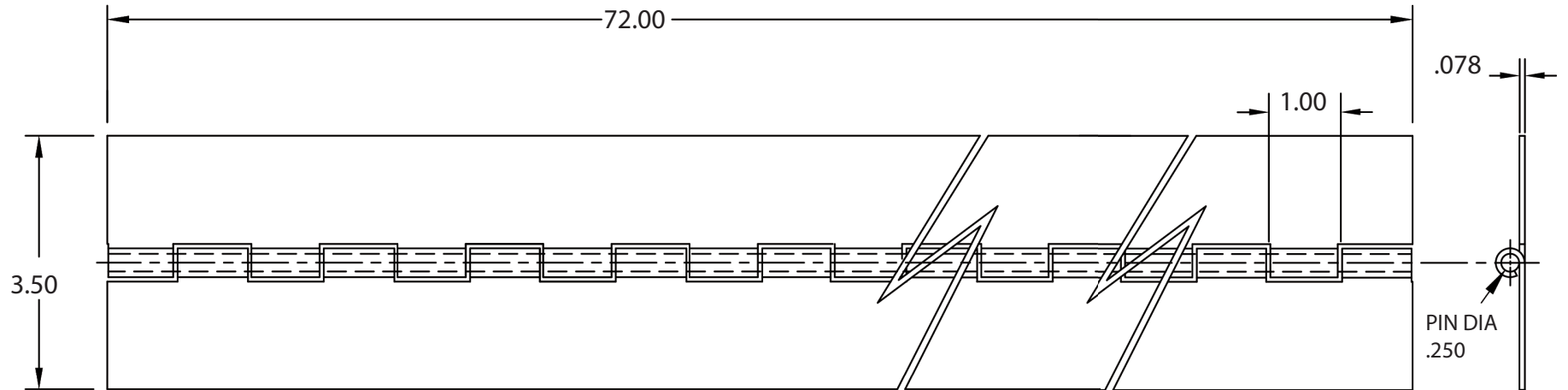


TECHNICAL DRAWING / DESSIN TECHNIQUE



JIMEXS
HARDWARE

1 866 447-5656 / INFO@JIMEXS.COM

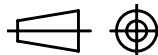
WWW.JIMEXS-HARDWARE.COM

210-313

Piano hinge
Penture piano

2022-01-06

PROJECTIONS



DIMENSIONS

72"x 3-1/2" Open / Ouvert

0,078" Thickness / Épaisseur

0,0250" Pin diam. / Diam.de tige

1" Knuckle / Articulation

MATERIAL/MATÉRIEL Plain Steel and brass pin /

Acier brut et tige (laiton)