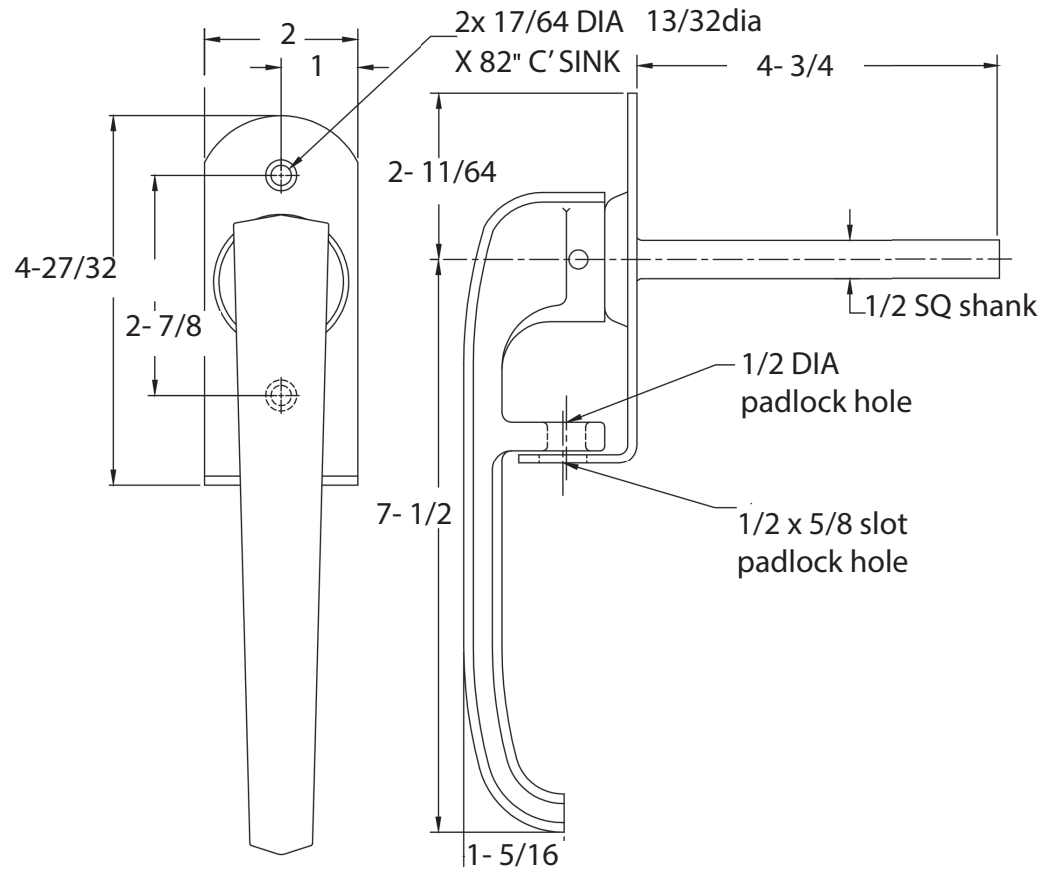


# TECHNICAL DRAWING / DESSIN TECHNIQUE



**JIMEXS**  
**HARDWARE**

1 866 447-5656 / INFO@JIMEXS.COM

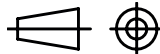
WWW.JIMEXS-HARDWARE.COM

220-551

Paddlock handle  
 Poignée à cadenas

2021-09-21

PROJECTIONS



DIMENSIONS  $1/2$ " square shaft / tige carrée

MATERIAL/MATÉRIEL Zinc