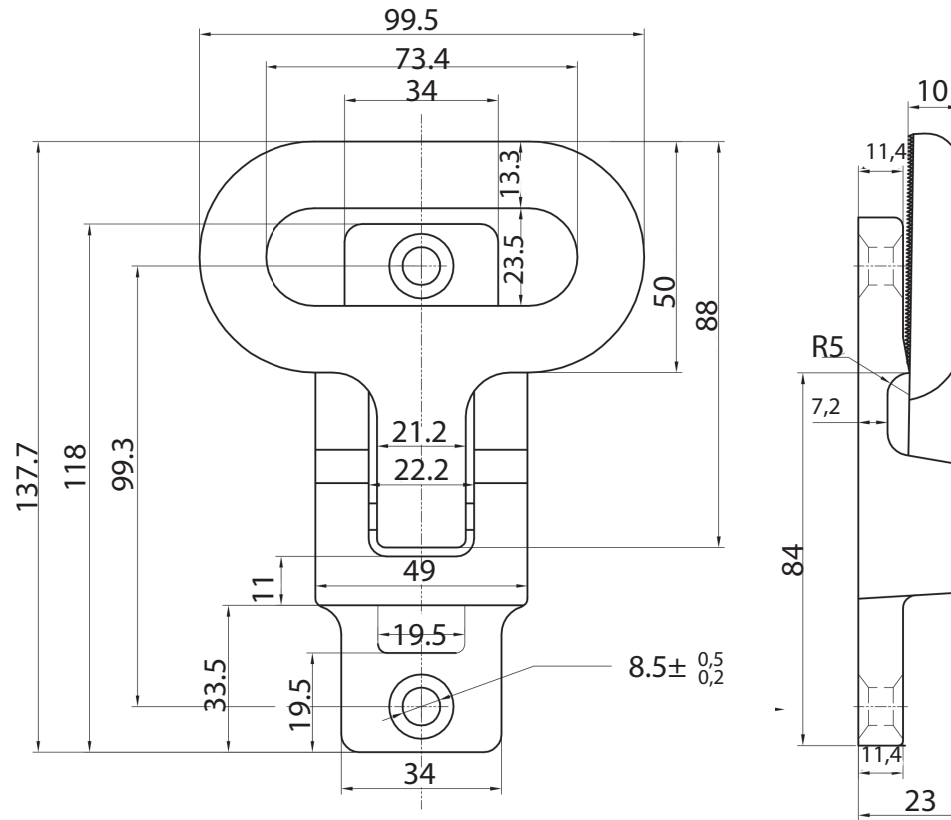


TECHNICAL DRAWING / DESSIN TECHNIQUE



JIMEXS
HARDWARE

1 866 447-5656 / INFO@JIMEXS.COM

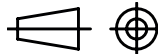
WWW.JIMEXS-HARDWARE.COM

220-801

Folding grab handle
Poignée escamotable

2021-09-21

PROJECTIONS



DIMENSIONS

137.7 mm x 99.5 mm

MATERIAL/MATÉRIEL

Steel plain / Acier nu