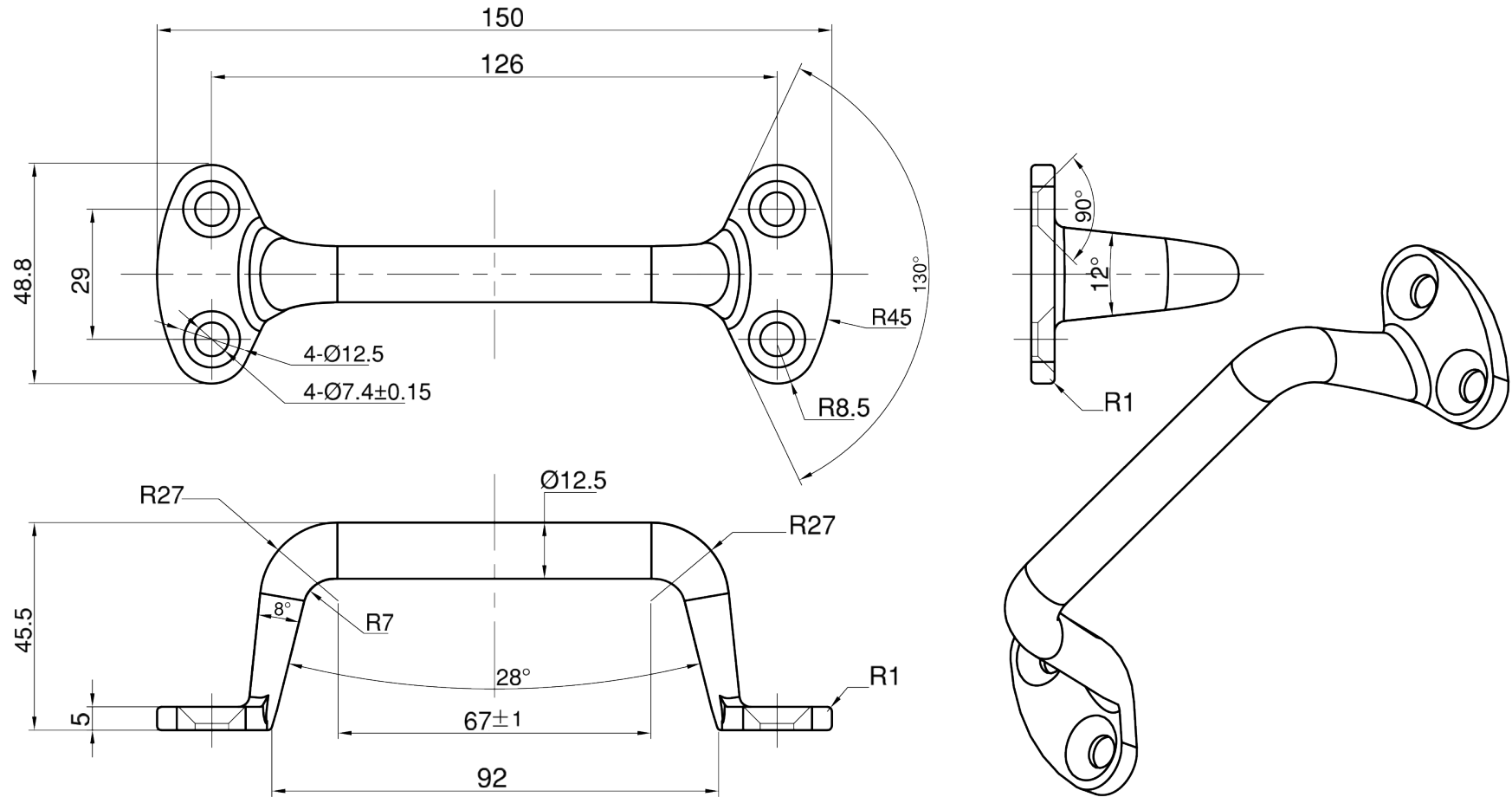


# TECHNICAL DRAWING / DESSIN TECHNIQUE



**JIMEXS**  
**HARDWARE**

1 866 447-5656 / INFO@JIMEXS.COM

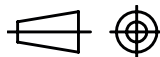
WWW.JIMEXS-HARDWARE.COM

221-211

Folding grab handle  
 Poignée escamotable

2021-09-21

PROJECTIONS



DIMENSIONS 5" CC

MATERIAL/MATÉRIEL Chrome steel / Acier chromé