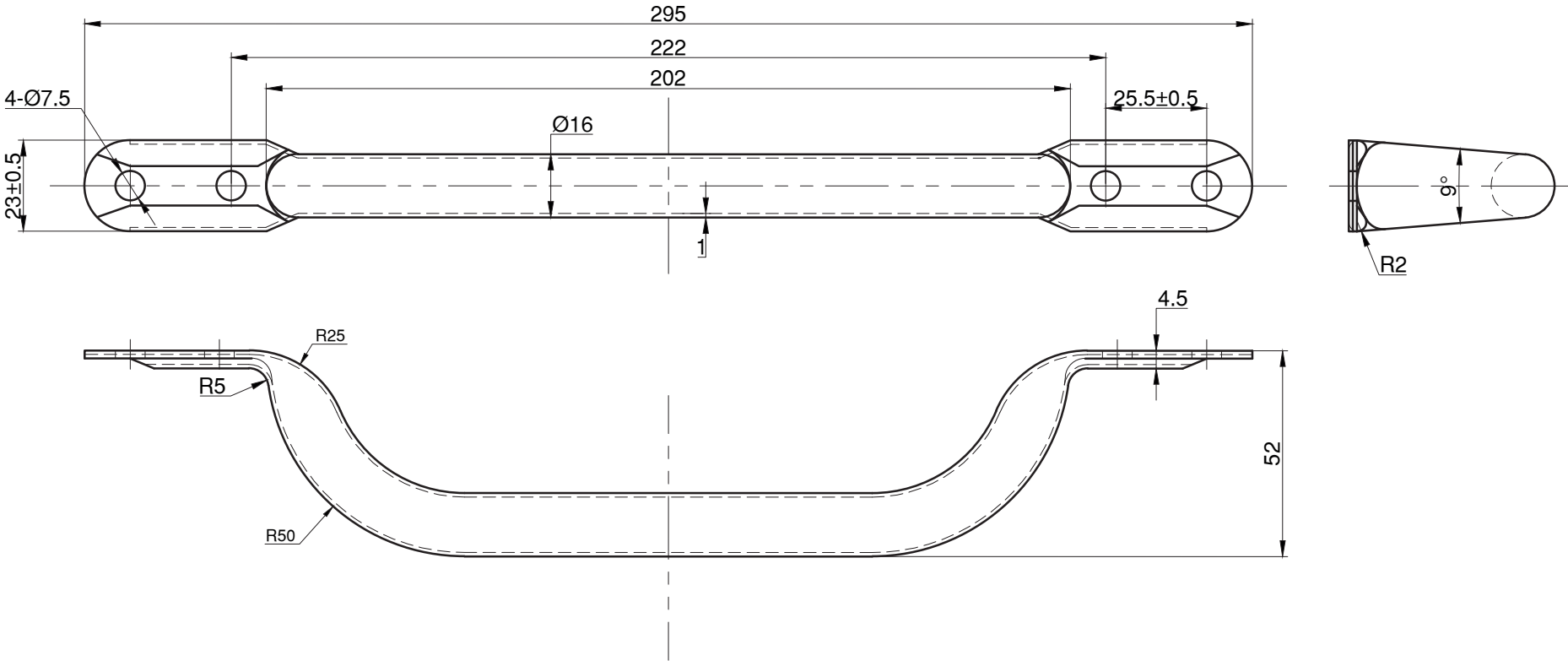


TECHNICAL DRAWING / DESSIN TECHNIQUE



JIMEXS
HARDWARE

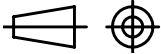
1 866 447-5656 / INFO@JIMEXS.COM
 WWW.JIMEXS-HARDWARE.COM

221-301

Grab handle
 Poignée à agripper

2024-04-01

PROJECTIONS



DIMENSIONS 11-1/2"
 MATERIAL/MATÉRIEL Stainless steel (304) / Acier inoxydable (304)