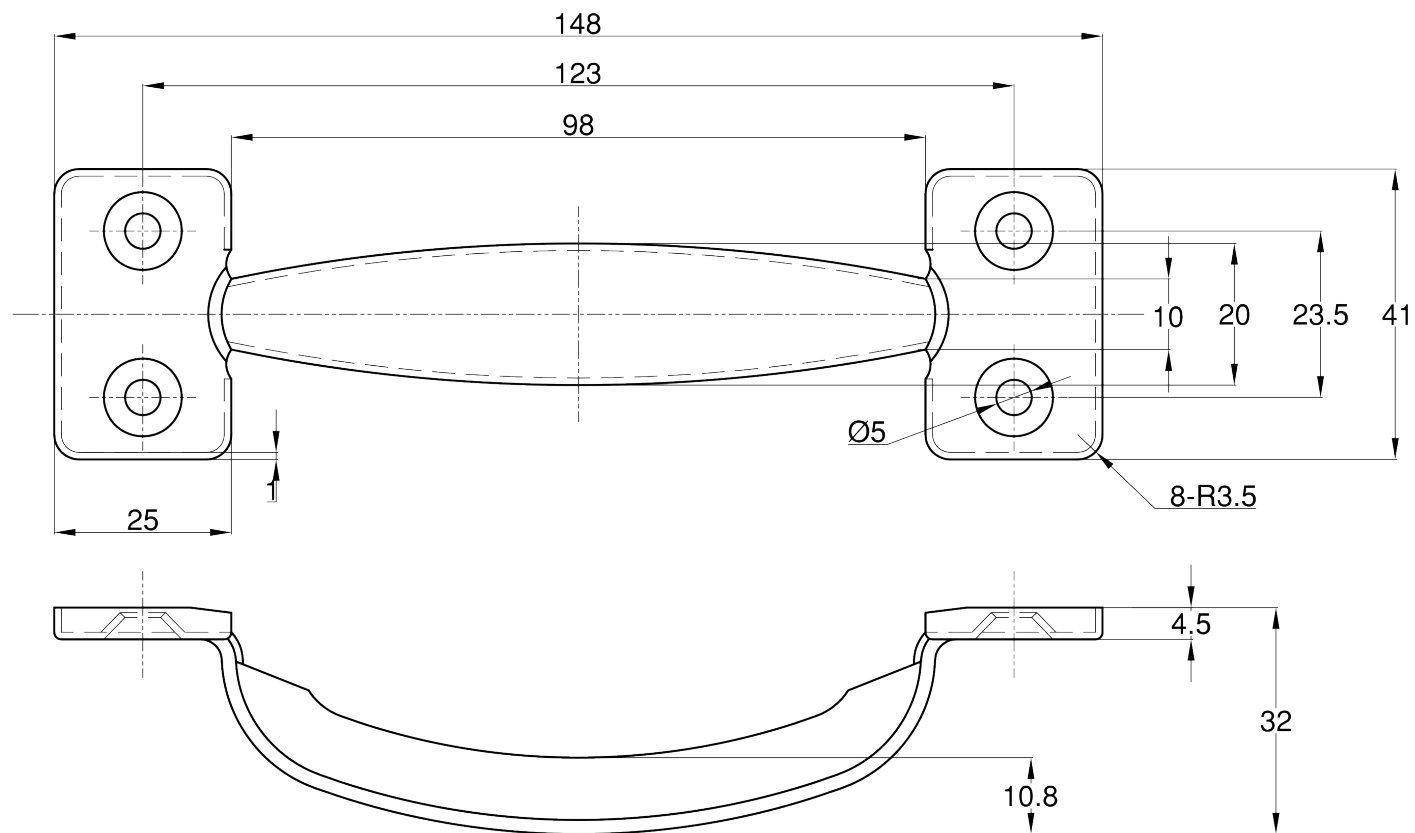


# TECHNICAL DRAWING / DESSIN TECHNIQUE



**JIMEXS**  
**HARDWARE**

1 866 447-5656 / INFO@JIMEXS.COM

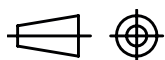
WWW.JIMEXS-HARDWARE.COM

221-708

Grab handle with screws  
Poignée en acier pressé

2021-09-22

PROJECTIONS



DIMENSIONS 5-1/2" x 7/8"

MATERIAL/MATÉRIEL Zinc plated steel / Acier plaqué zinc