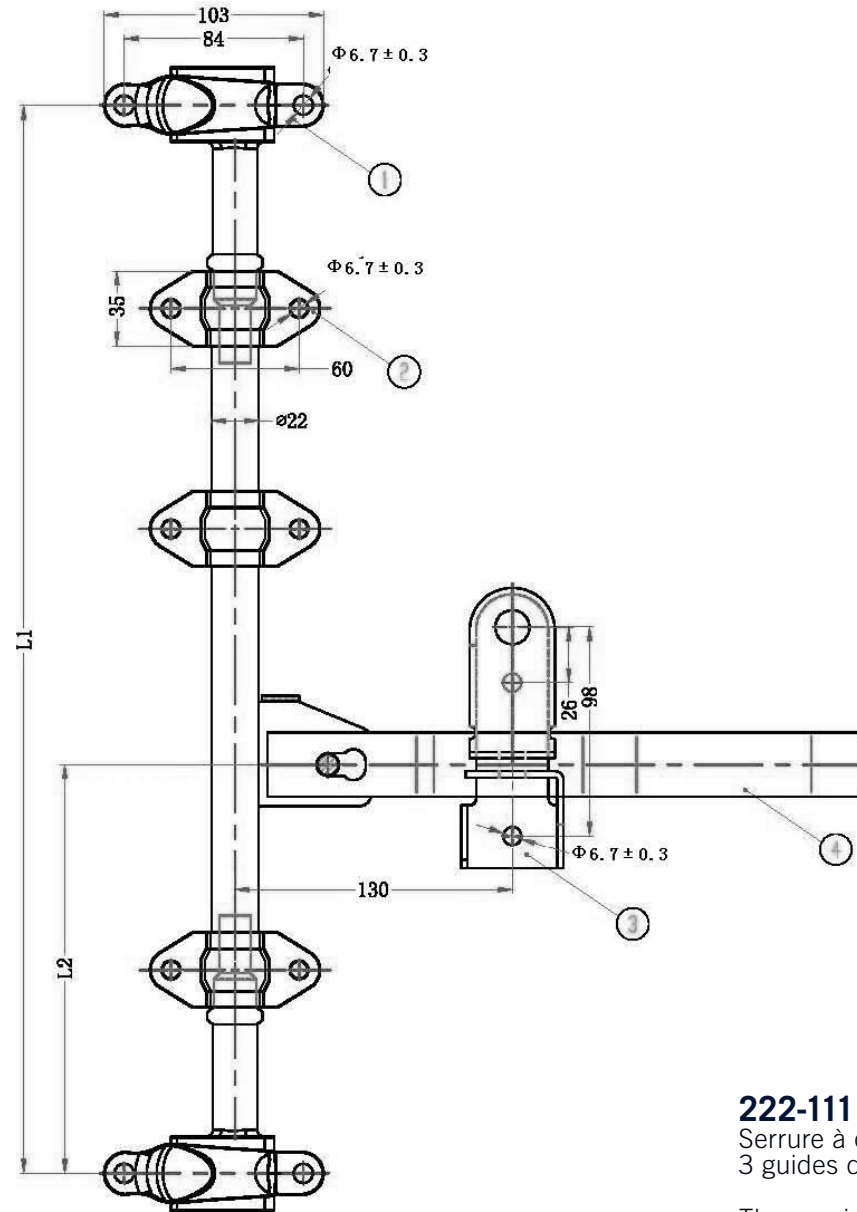


# DESSIN TECHNIQUE / TECHNICAL DRAWING



**JIMEXS**  
**HARDWARE**

1 866 447-5656 / INFO@JIMEXS.COM  
WWW.JIMEXS.COM

**222-111**

Serrure à compression 3 points  
3 guides de tige - 22 mm

Three points cam door lock  
3 rod guides - 22 mm