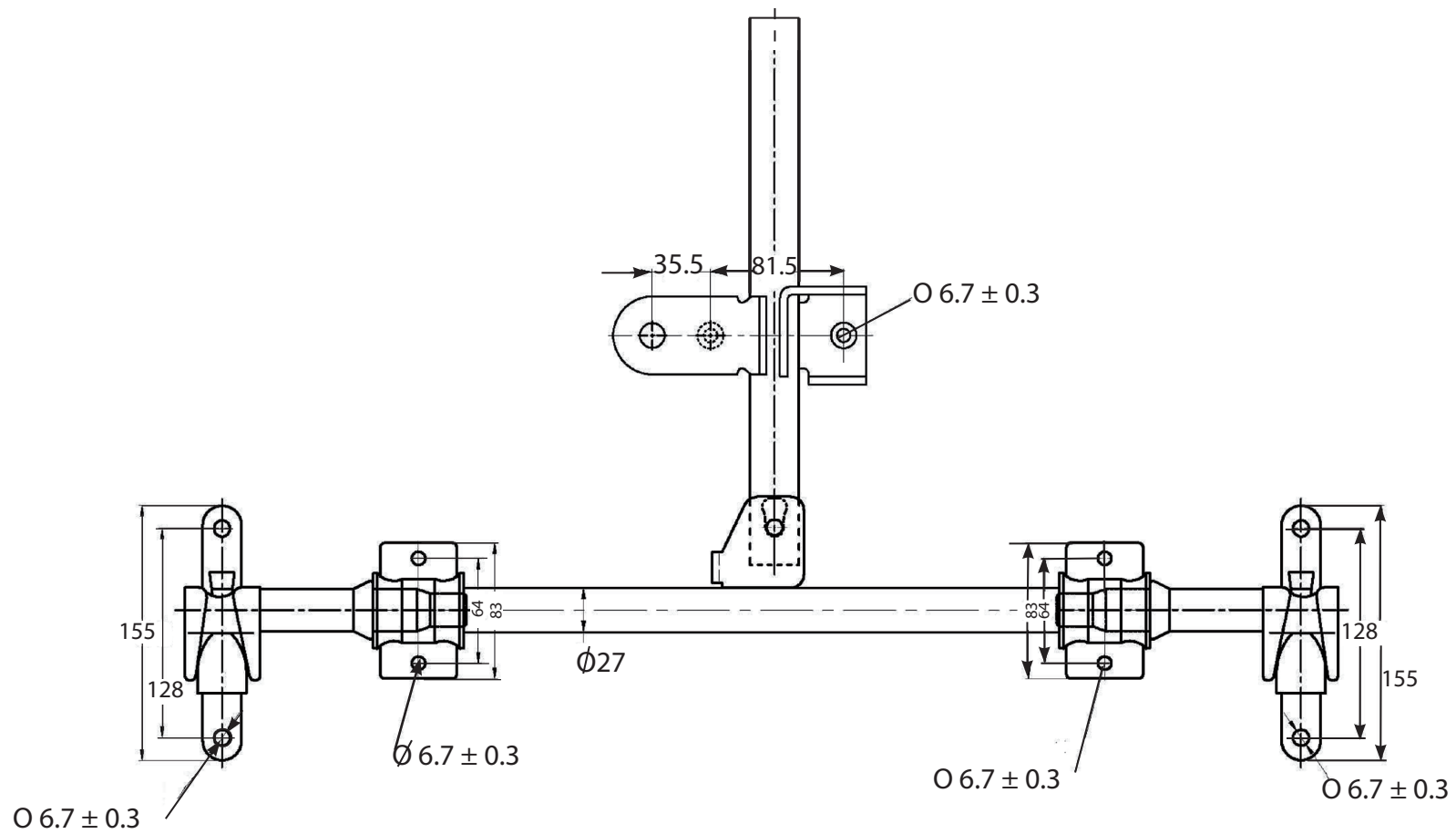


# TECHNICAL DRAWING / DESSIN TECHNIQUE



**JIMEXS**  
**HARDWARE**

1 866 447-5656 / INFO@JIMEXS.COM

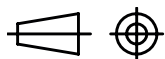
WWW.JIMEXS-HARDWARE.COM

222-121

Two point cam door lock  
 Serrure à compression à 2 point

2022-01-25

PROJECTIONS



SPECS

2 guides de tige / 2 rod guides

MATERIAL/MATÉRIEL Acier Inoxydable / Stainless Steel