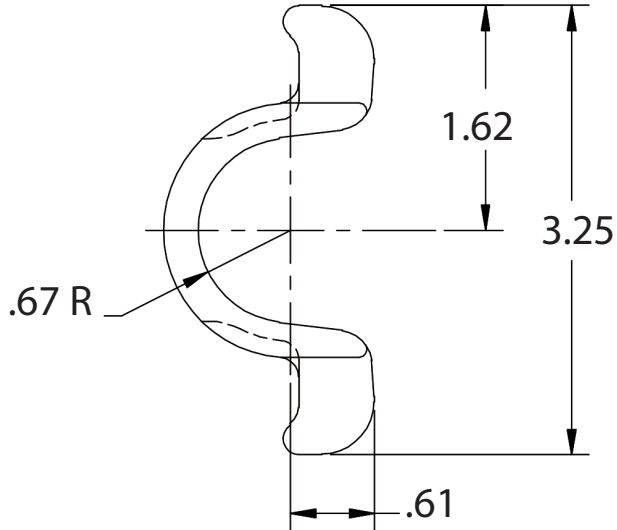
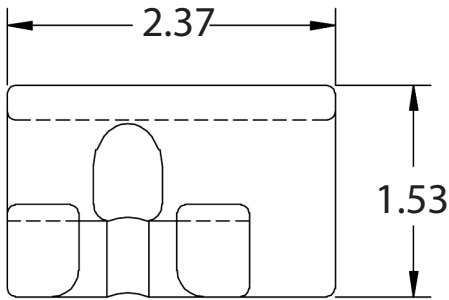
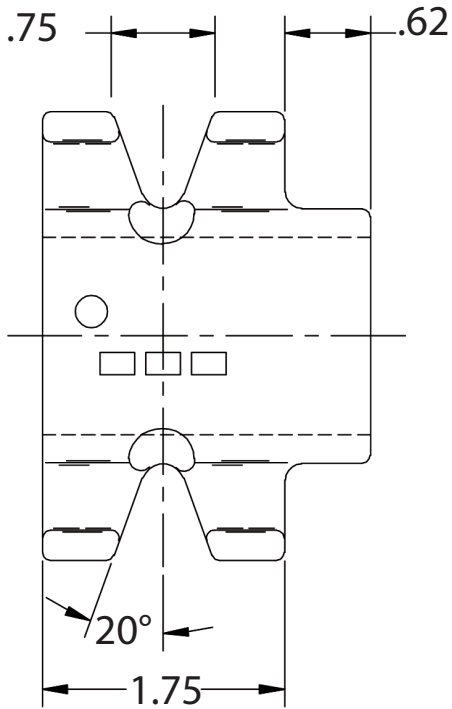


TECHNICAL DRAWING / DESSIN TECHNIQUE



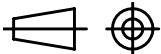
1 866 447-5656 / INFO@JIMEXS.COM  
WWW.JIMEXS-HARDWARE.COM

222-221

Cam  
Pêne

2021-09-22

PROJECTIONS



MATERIAL/MATÉRIEL Zinc plated steel / Acier plaqué zinc