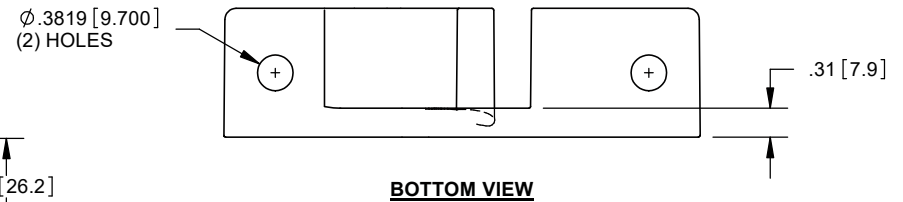
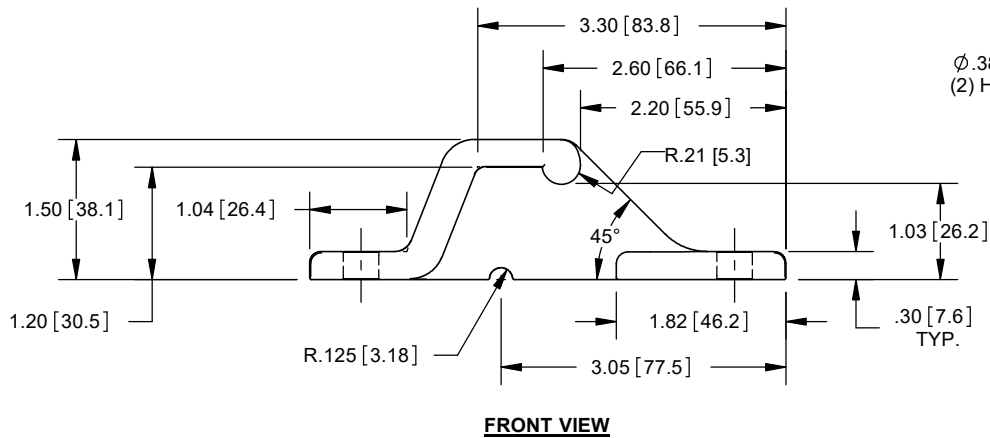
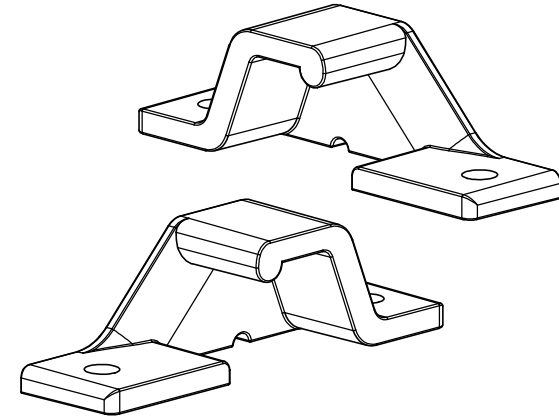
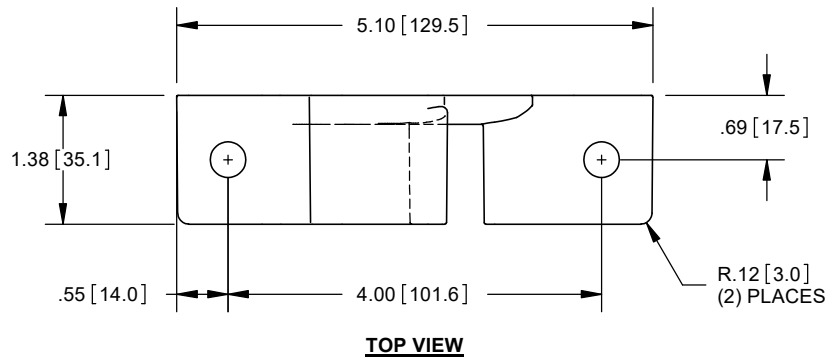


TECHNICAL DRAWING / DESSIN TECHNIQUE



JIMEXS
HARDWARE

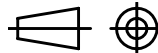
1 866 447-5656 / INFO@JIMEXS.COM
 WWW.JIMEXS-HARDWARE.COM

222-583

Cam lock - 2 points
 Serrure à compression 2 points

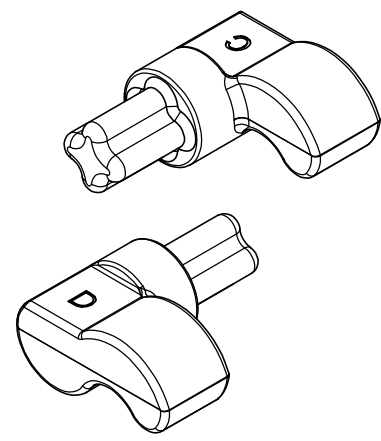
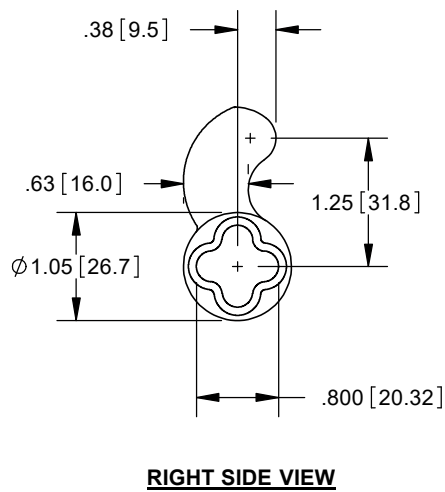
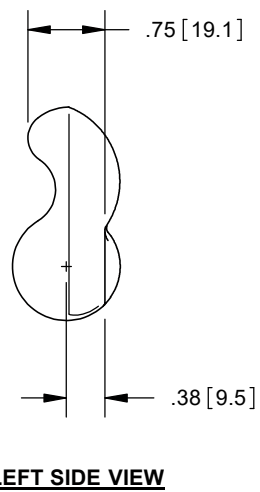
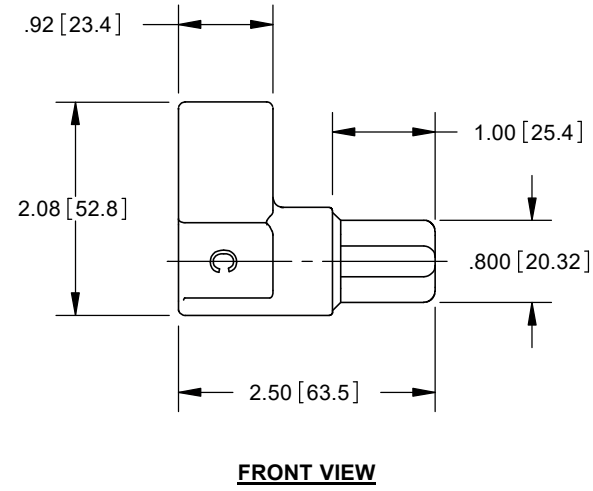
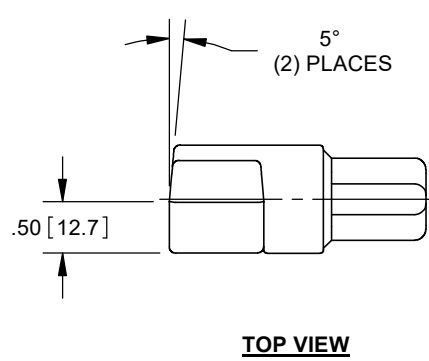
2024-01-22

PROJECTIONS



MATERIAL / MATÉRIEL Steel / Acier
 FINI/FINISH Zingué / Zinc Plated

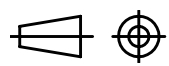
TECHNICAL DRAWING / DESSIN TECHNIQUE



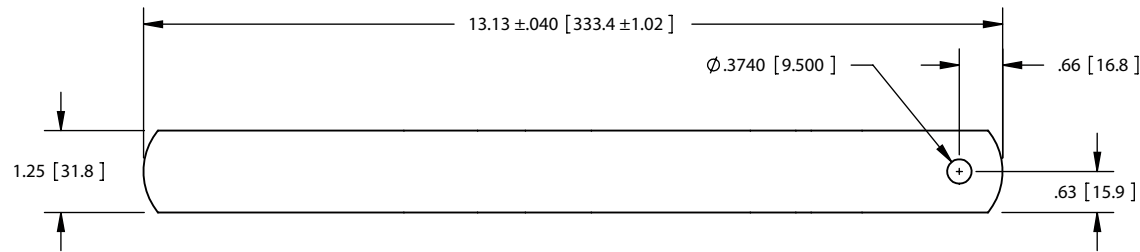
JIMEXS
HARDWARE
 1 866 447-5656 / INFO@JIMEXS.COM
 WWW.JIMEXS-HARDWARE.COM

222-583
 Cam lock - 2 points
 Serrure à compression 2 points
 2024-01-22
 PROJECTIONS

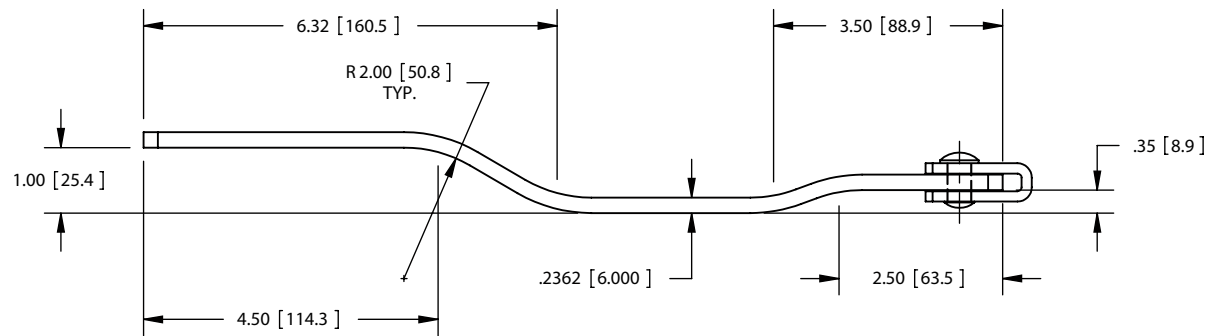
MATERIAL / MATÉRIEL Steel / Acier
 FINI/FINISH Zingué / Zinc Plated



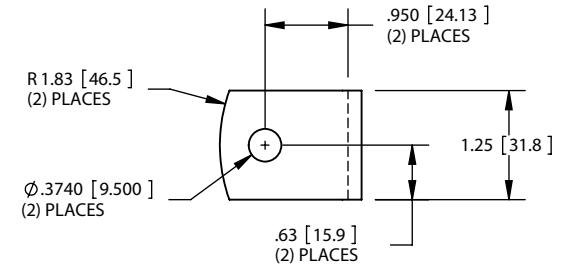
TECHNICAL DRAWING / DESSIN TECHNIQUE



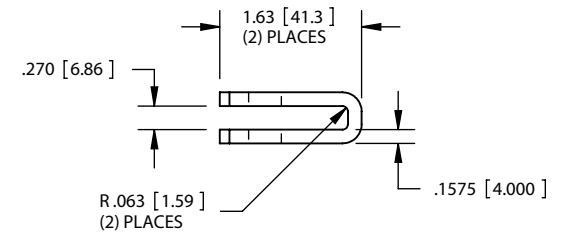
TOP VIEW
 SHOWN WITHOUT WELD
 BRACKET FOR CLARITY



FRONT VIEW



TOP VIEW



FRONT VIEW

JIMEXS
HARDWARE

1 866 447-5656 / INFO@JIMEXS.COM

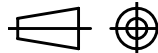
WWW.JIMEXS-HARDWARE.COM

222-583

Cam lock - 2 points
 Serrure à compression 2 points

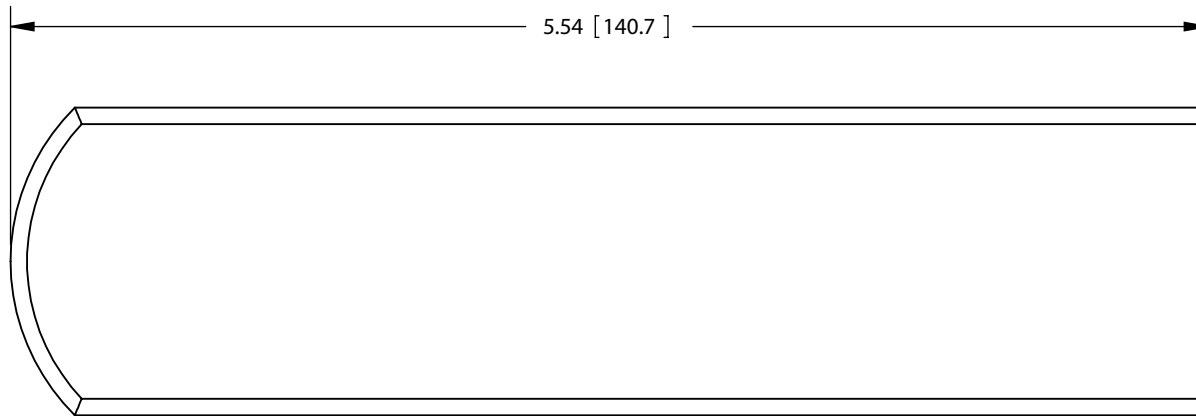
2024-01-22

PROJECTIONS

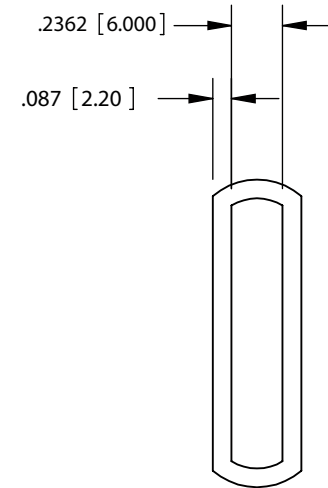


MATERIAL / MATÉRIEL Steel / Acier
 FINI/FINISH Zingué / Zinc Plated

TECHNICAL DRAWING / DESSIN TECHNIQUE



FRONT VIEW



RIGHT SIDE VIEW

JIMEXS
HARDWARE

1 866 447-5656 / INFO@JIMEXS.COM

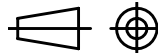
WWW.JIMEXS-HARDWARE.COM

222-583

Cam lock - 2 points
Serrure à compression 2 points

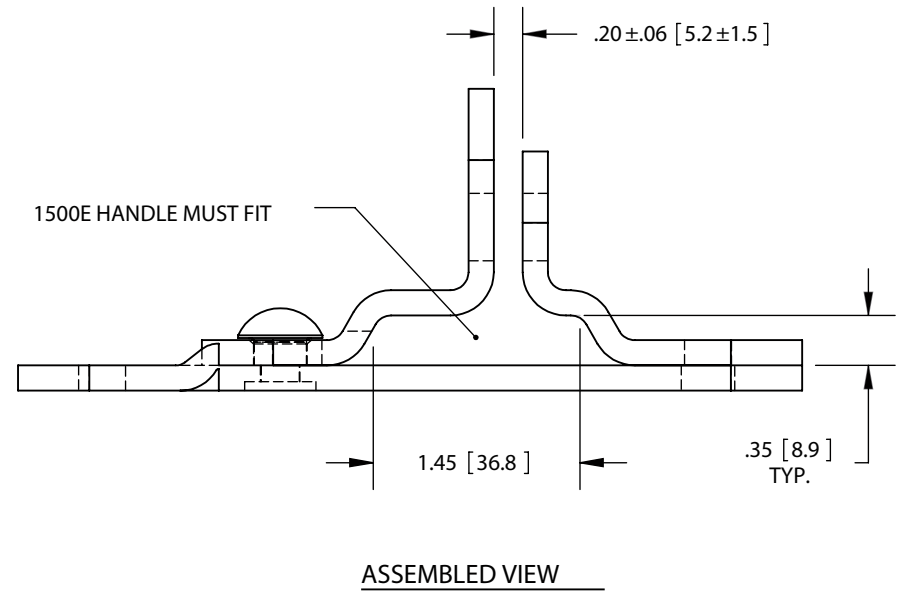
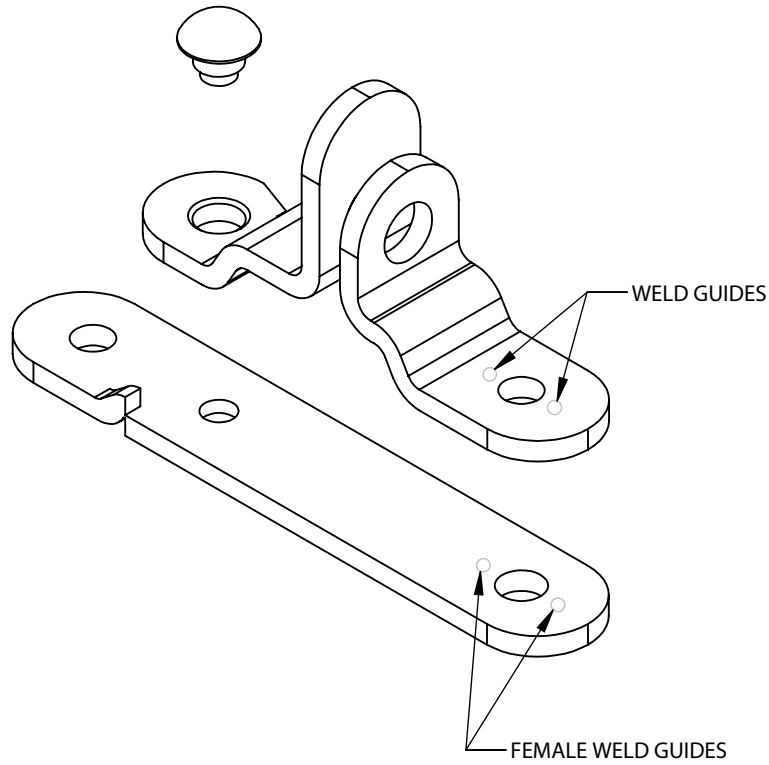
2024-01-22

PROJECTIONS



MATERIAL / MATÉRIEL Steel / Acier
FINI/FINISH Zingué / Zinc Plated

TECHNICAL DRAWING / DESSIN TECHNIQUE



JIMEXS
HARDWARE

1 866 447-5656 / INFO@JIMEXS.COM

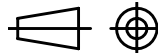
WWW.JIMEXS-HARDWARE.COM

222-583

Cam lock - 2 points
Serrure à compression 2 points

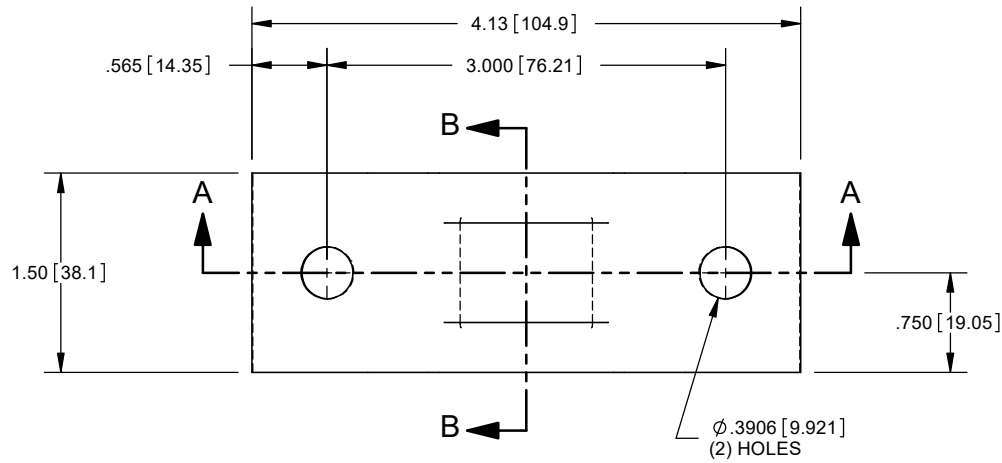
2024-01-22

PROJECTIONS

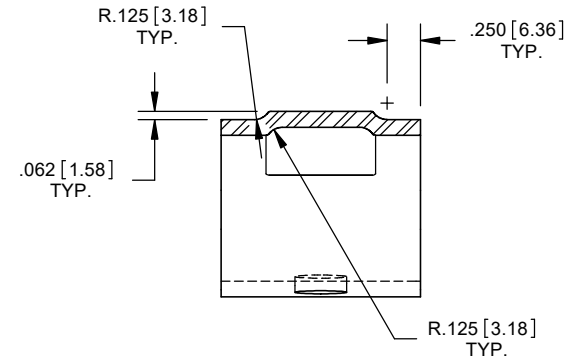


MATERIAL / MATÉRIEL Steel / Acier
FINI/FINISH Zingué / Zinc Plated

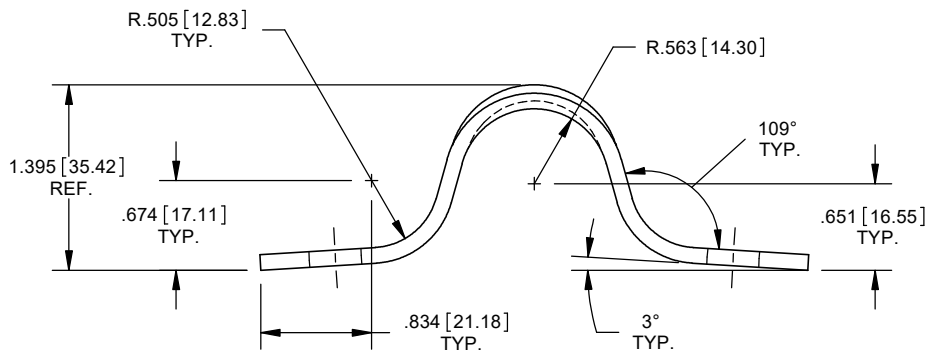
TECHNICAL DRAWING / DESSIN TECHNIQUE



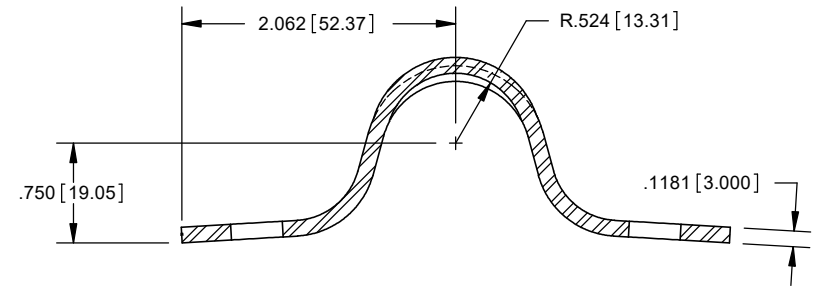
TOP VIEW



SECTION B-B



FRONT VIEW



SECTION A-A

JIMEXS
HARDWARE

1 866 447-5656 / INFO@JIMEXS.COM

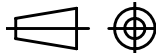
WWW.JIMEXS-HARDWARE.COM

222-583

Cam lock - 2 points
Serrure à compression 2 points

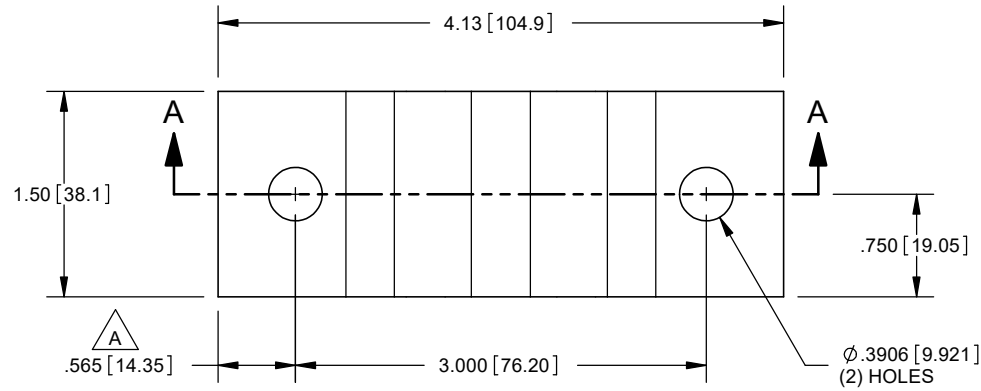
2024-01-22

PROJECTIONS

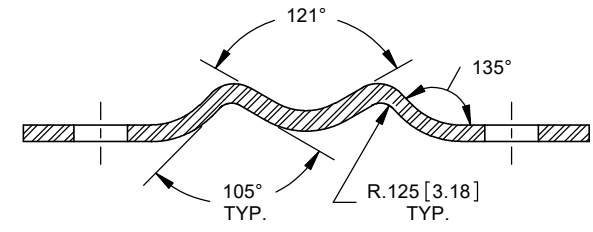


MATERIAL / MATÉRIEL Steel / Acier
FINI/FINISH Zingué / Zinc Plated

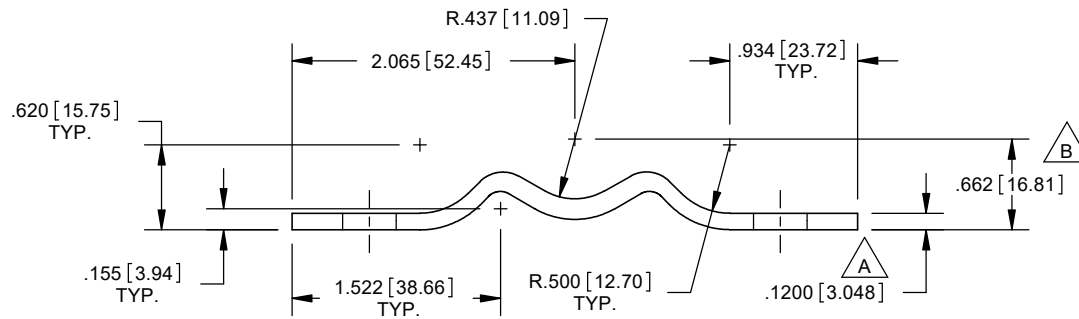
TECHNICAL DRAWING / DESSIN TECHNIQUE



TOP VIEW



SECTION A-A



FRONT VIEW

JIMEXS
HARDWARE

1 866 447-5656 / INFO@JIMEXS.COM

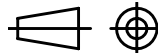
WWW.JIMEXS-HARDWARE.COM

222-583

Cam lock - 2 points
Serrure à compression 2 points

2024-01-22

PROJECTIONS



MATERIAL / MATÉRIEL Steel / Acier
FINI/FINISH Zingué / Zinc Plated