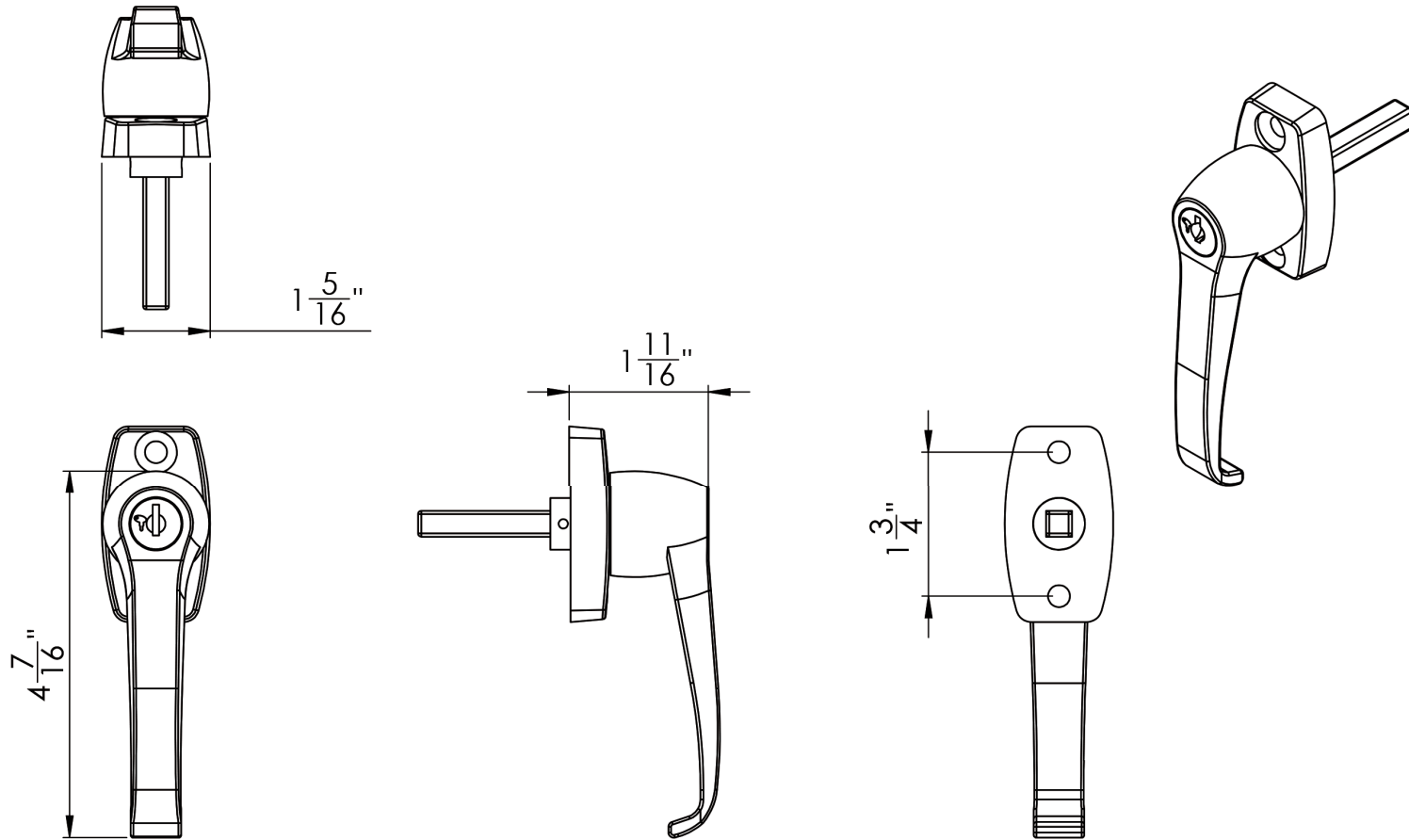


TECHNICAL DRAWING / DESSIN TECHNIQUE



JIMEXS
HARDWARE

1 866 447-5656 / INFO@JIMEXS.COM

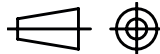
WWW.JIMEXS-HARDWARE.COM

223-107

L-handle
 Poignée en L

2022-01-04

PROJECTIONS



DIMENSIONS

1 3/4" c.c.- 4" shaft / Tige

MATERIAL/MATÉRIEL Chrome / Chromé

SPECIFICATIONS

Locking #CH501 / Barrable

No dust cover+ 2 key / Sans cache poussiere+2 clés