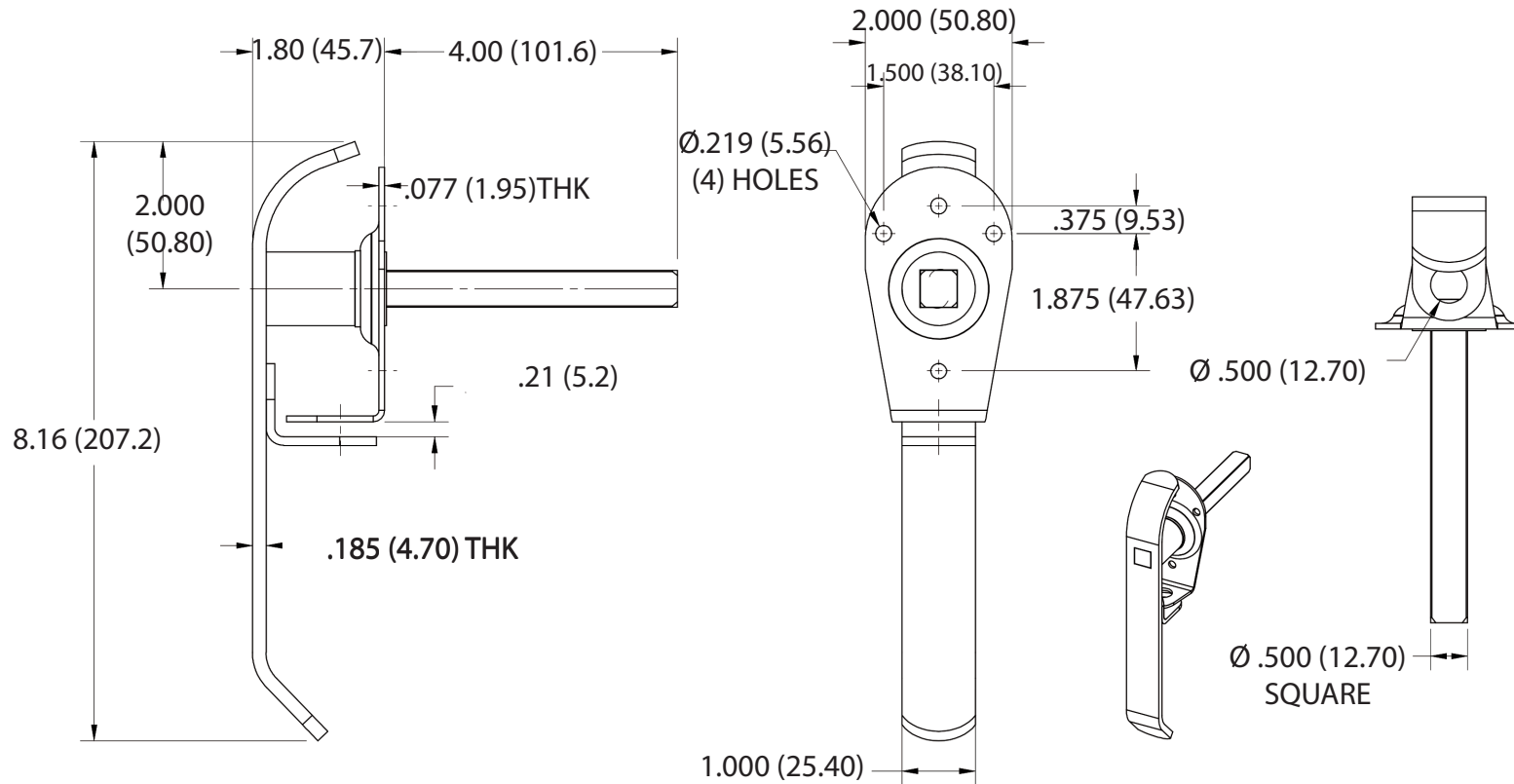


TECHNICAL DRAWING / DESSIN TECHNIQUE



JIMEXS
HARDWARE

1 866 447-5656 / INFO@JIMEXS.COM

WWW.JIMEXS-HARDWARE.COM

223-651

Padlockable L handle
 Poignée cadénassable

2022-01-04

PROJECTIONS



DIMENSIONS

Square shaft 1/2" / Tige carrée

MATERIAL/MATÉRIEL Stainless steel (304) / Acier inoxydable (304)