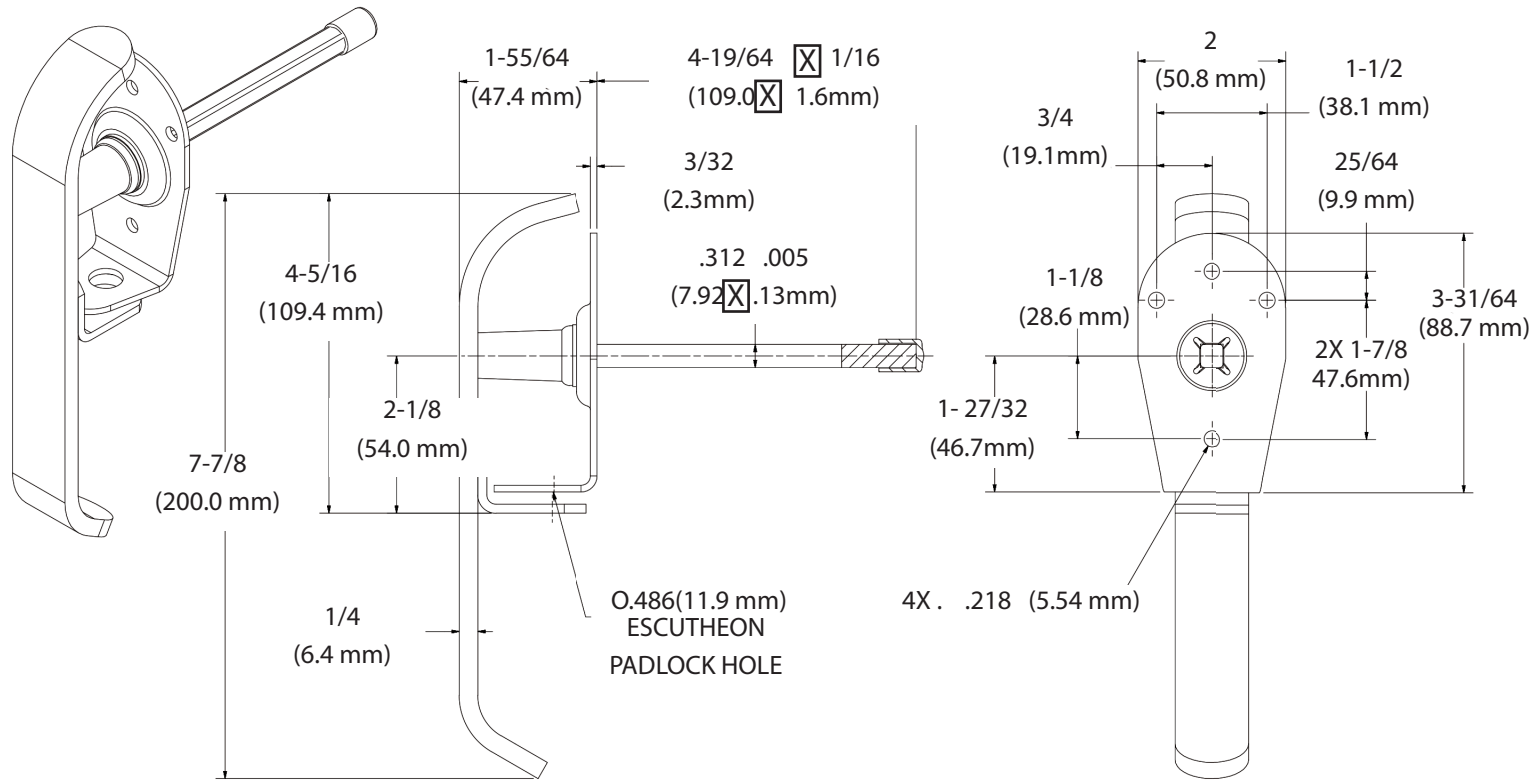


# TECHNICAL DRAWING / DESSIN TECHNIQUE



**JIMEXS**  
**HARDWARE**

1 866 447-5656 / INFO@JIMEXS.COM

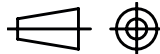
WWW.JIMEXS-HARDWARE.COM

223-686

Padlock handle  
 Poignée a cadenasser

2022-01-04

PROJECTIONS



DIMENSIONS 4-1/4", 5/16" Square shaft / Tige carrée

MATERIAL/MATÉRIEL Stainless steel / Acier inoxydable