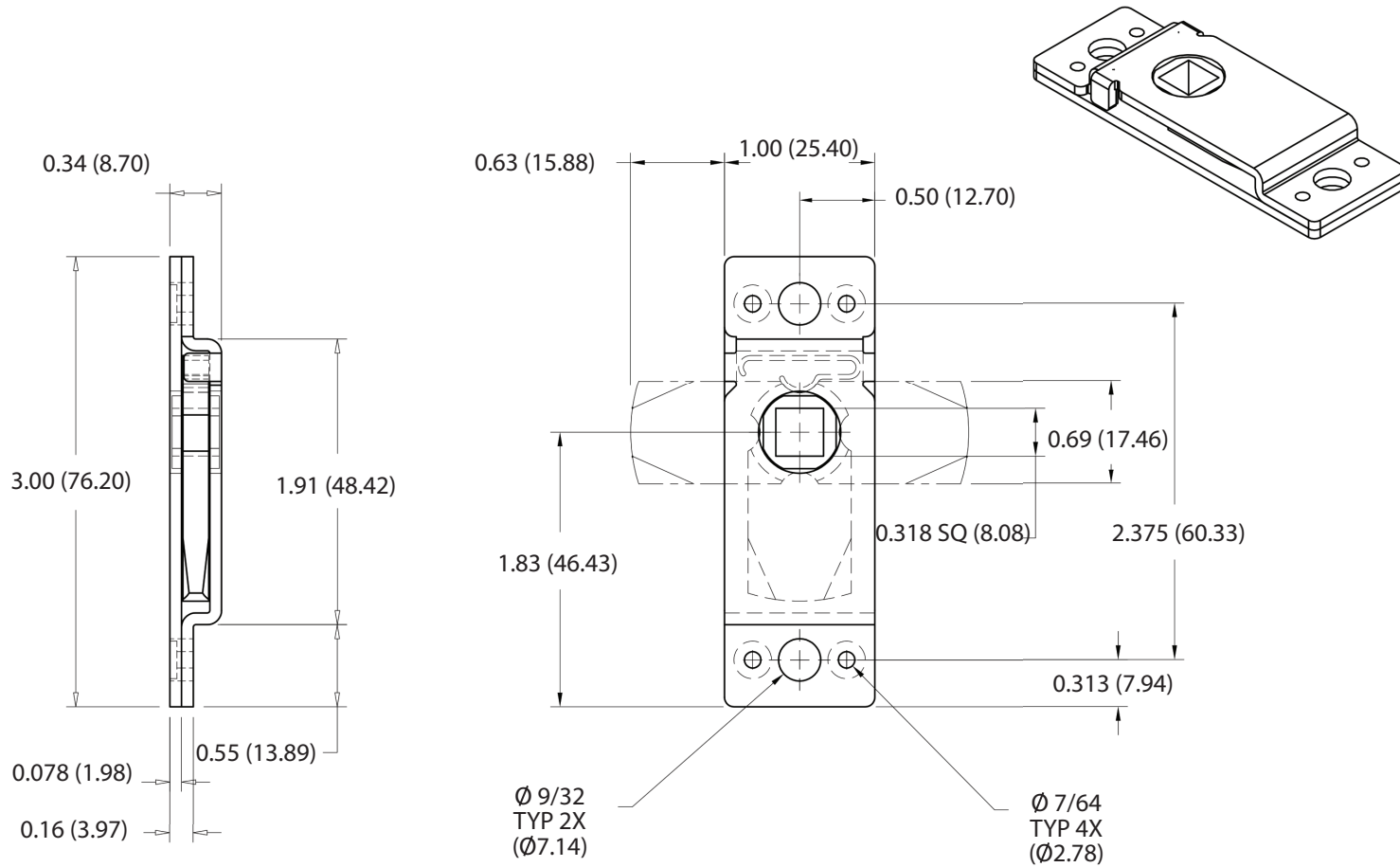


# TECHNICAL DRAWING / DESSIN TECHNIQUE



**JIMEXS**  
**HARDWARE**

1 866 447-5656 / INFO@JIMEXS.COM

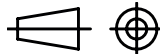
WWW.JIMEXS-HARDWARE.COM

224-251

Compartment lock  
 Barrure de compartiment

2022-01-04

PROJECTIONS



MATERIAL/MATÉRIEL

Zinc plated steel / Acier plaqué zinc

SPECIFICATIONS/ SPÉCIFICATION

Hole 5/16 / Trou