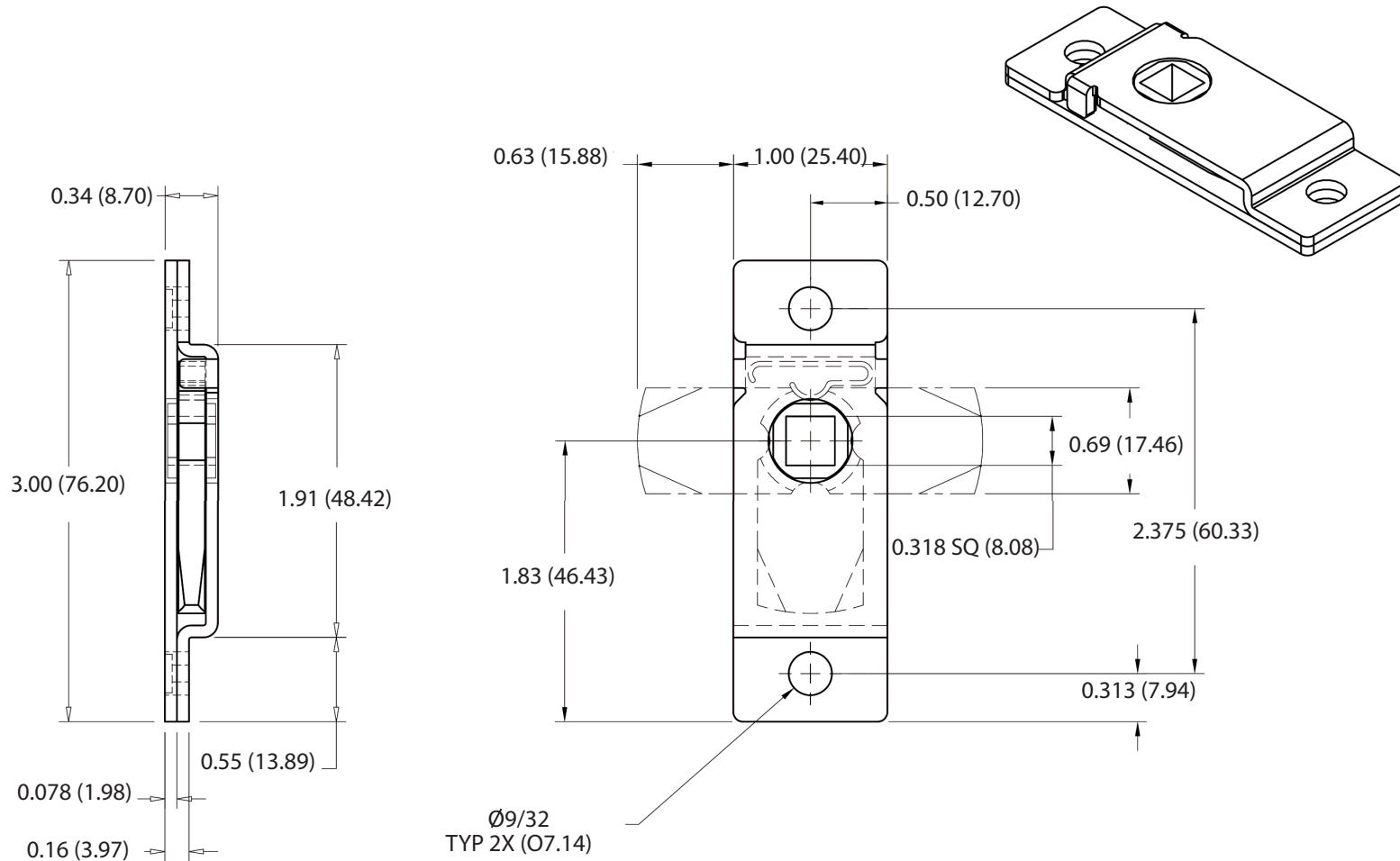


TECHNICAL DRAWING / DESSIN TECHNIQUE



JIMEXS
HARDWARE

1 866 447-5656 / INFO@JIMEXS.COM

WWW.JIMEXS-HARDWARE.COM

224-255

Compartment lock
 Barrure de compartiment

2022-01-04

PROJECTIONS



MATERIAL/MATÉRIEL

Stainless steel (304) / Acier inoxydable (304)

SPECIFICATIONS/ SPÉCIFICATION Hole / Trou 5/16