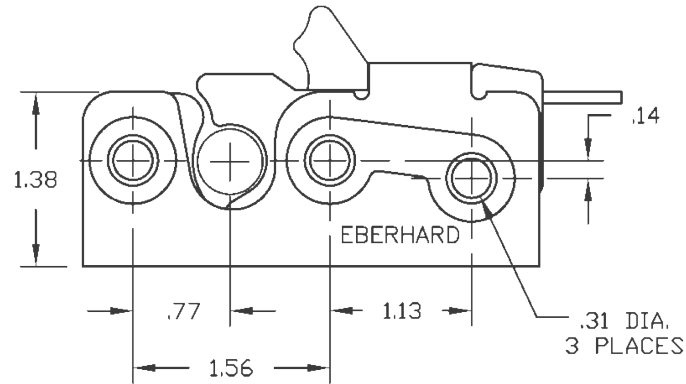
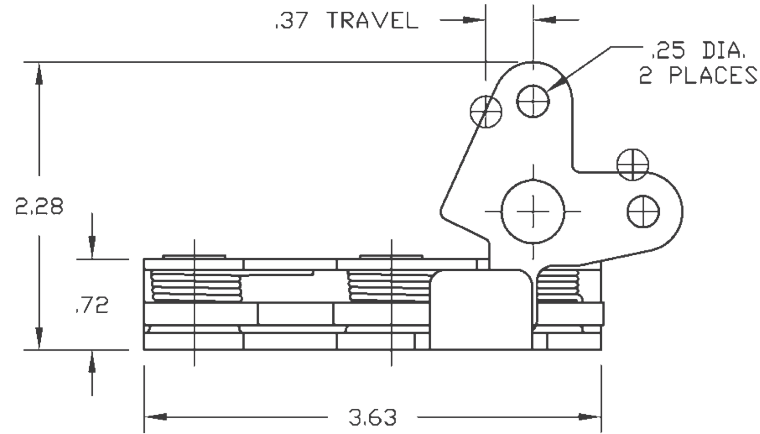


# TECHNICAL DRAWING / DESSIN TECHNIQUE



**JIMEXS**  
**HARDWARE**

1 866 447-5656 / INFO@JIMEXS.COM

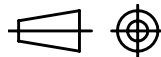
WWW.JIMEXS-HARDWARE.COM

224-451

Rotary-Right  
 Pêne tournant-Droit

2022-01-04

PROJECTIONS



DIMENSIONS 3,63" x 2,28"

MATERIAL/MATÉRIEL Zinc plated steel / Acier plaqué zinc