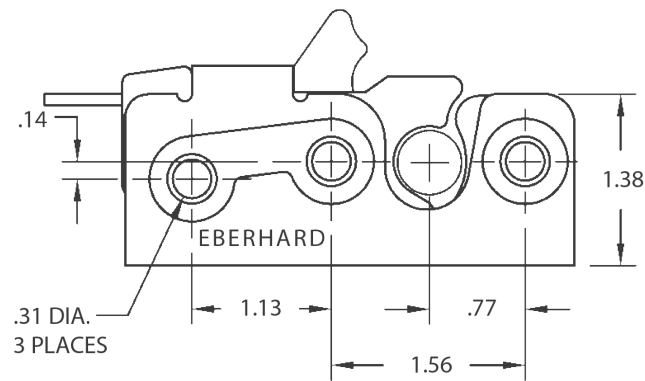
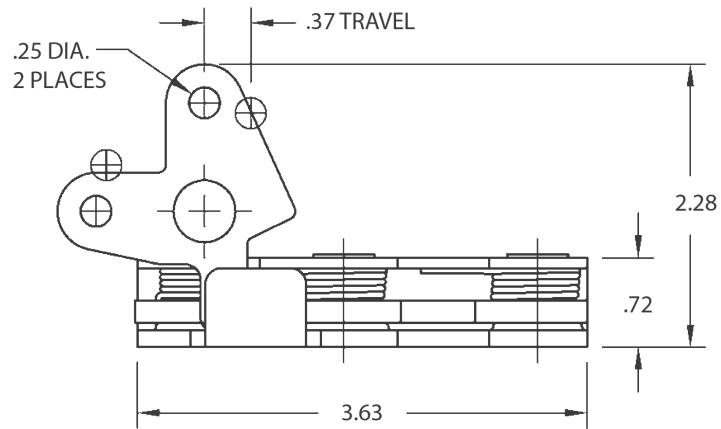


TECHNICAL DRAWING / DESSIN TECHNIQUE



JIMEXS
HARDWARE

1 866 447-5656 / INFO@JIMEXS.COM

WWW.JIMEXS-HARDWARE.COM

224-456

Rotary-Left
Pêne tournant-Gauche

2022-01-04

PROJECTIONS



DIMENSIONS 3,63" x 2,28"

MATERIAL/MATÉRIEL Zinc plated steel / Acier plaqué zinc