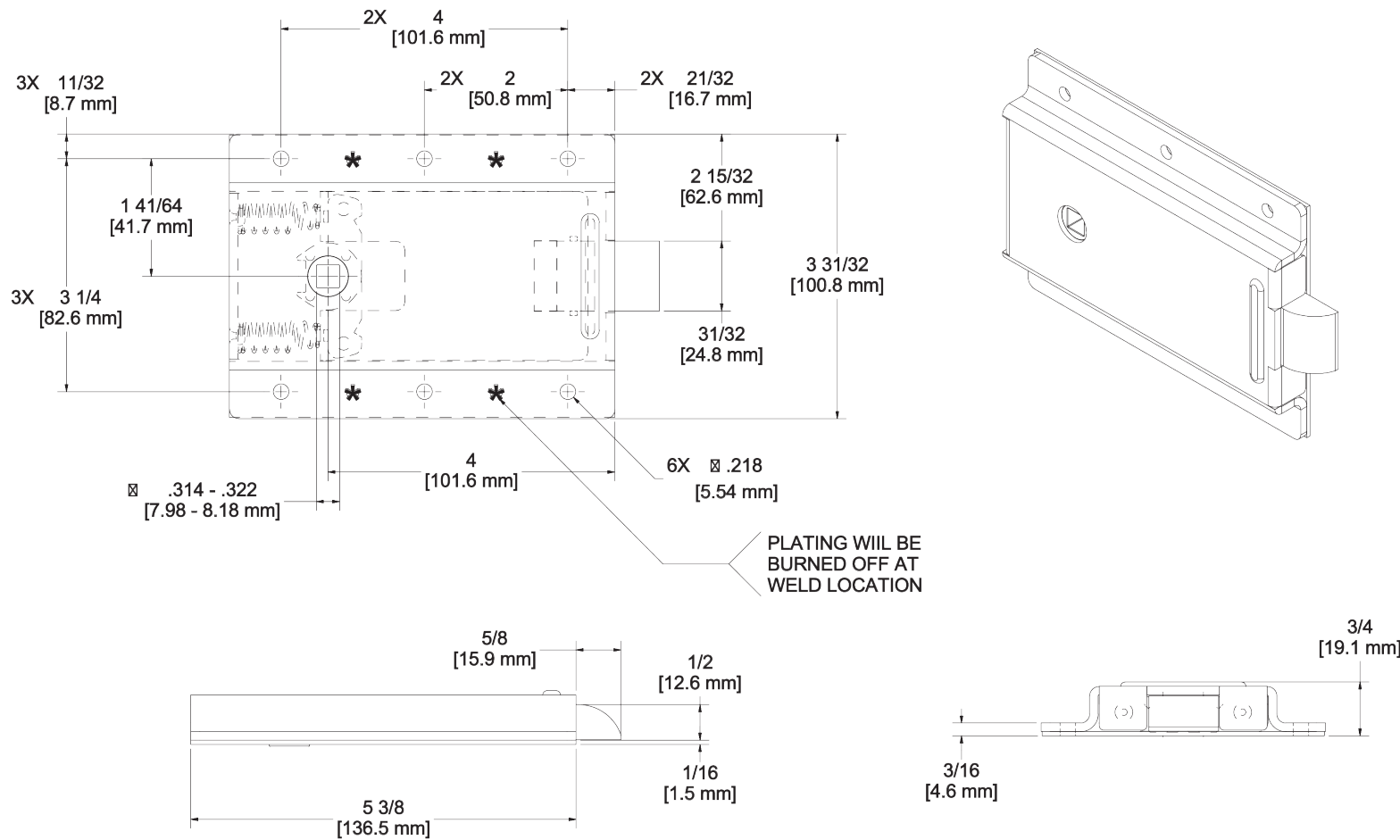


# TECHNICAL DRAWING / DESSIN TECHNIQUE



**JIMEXS**  
**HARDWARE**

1 866 447-5656 / INFO@JIMEXS.COM

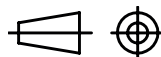
WWW.JIMEXS-HARDWARE.COM

224-491

Universal slamming cab lock  
 Serrure ultra-robuste7

2022-04-01

PROJECTIONS



DIMENSIONS

5.375" x 3.875"

SPECIFICATIONS/SPECIFICATION Hole / Trou 5/16