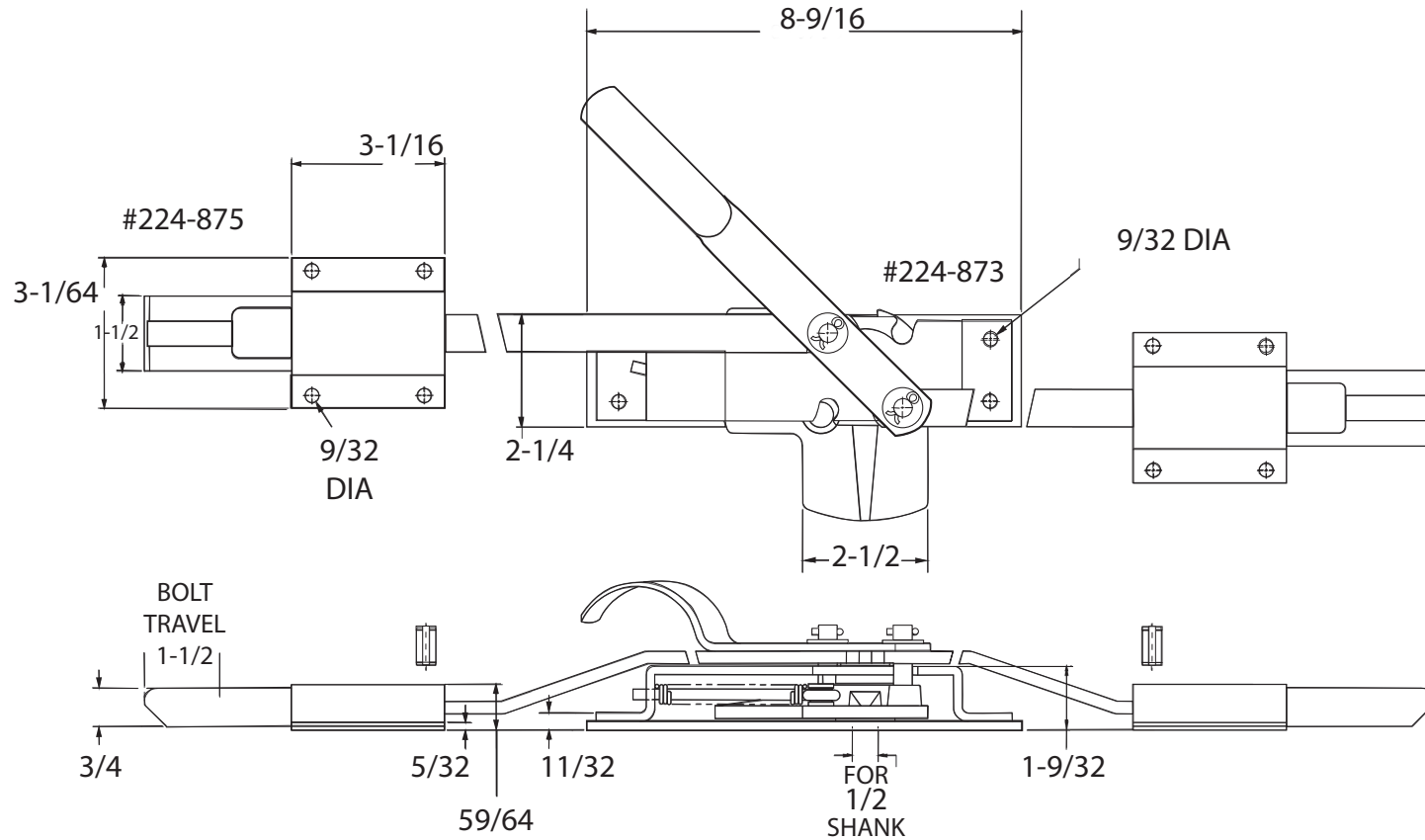


TECHNICAL DRAWING / DESSIN TECHNIQUE



JIMEXS
HARDWARE

1 866 447-5656 / INFO@JIMEXS.COM

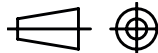
WWW.JIMEXS-HARDWARE.COM

224-877

Zinc flat rod
 Tige plate zinc 36"

2022-01-05

PROJECTIONS



DIMENSIONS

36"

SPECIFICATIONS / SPÉCIFICATIONS For lock 224-871

Pour serrure 224-871