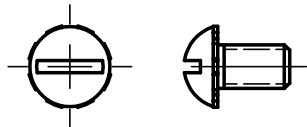


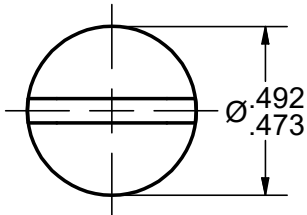
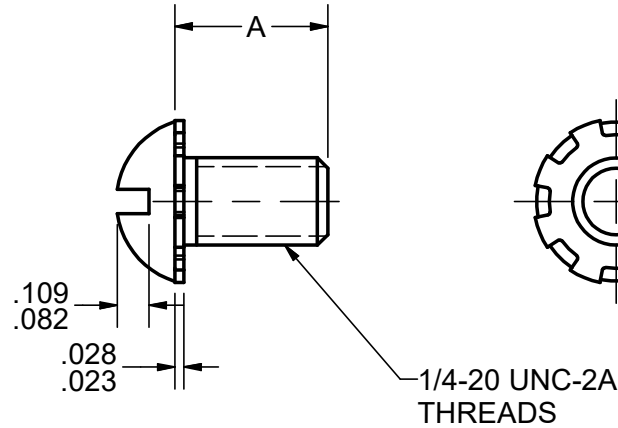
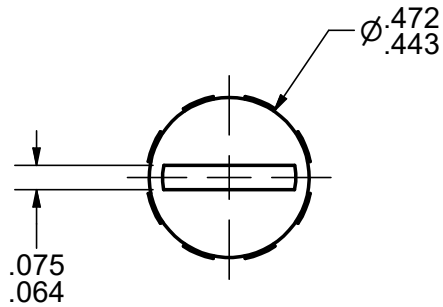
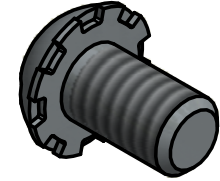
**CONFIDENTIAL NOTICE:** This drawing and the designs, specifications and engineering information disclosed herein are the property of Eberhard Manufacturing Company and are not to be disseminated or reproduced without express written consent. The drawing is loaned in confidence and then only for consideration of the matter disclosed herein. In accepting loan of this drawing, recipient agrees to keep it and the matter disclosed herein in confidence and not to use nor permit their use in any way detrimental to Eberhard Manufacturing Company, Division of the Eastern Company, 21944 Drake Road, Cleveland, Ohio 44149-9712 © 2008 EBERHARD MFG. CO.



SCALE: 1:1

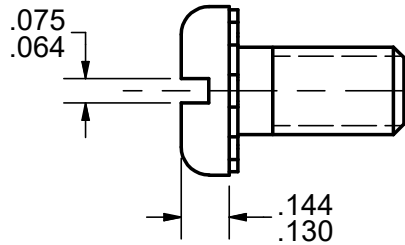
①

TABLE		
PART NO.	FINISH CODE	DIM. A
22X-253	25	.467/.407
22X-254	25	.470/.530



②

ALTERNATE HEAD PROFILE



SUPERSEDES DRAWING 22X-253 DATED 6-24-05.

REVISION HISTORY					
REV	DESCRIPTION	EN	DATE	REV BY	APVD BY
-	RELEASED IN 3D	EN 5374	10-17-08		
1	22X-254 WAS 22X-253	EN 5378	11-14-08		
2	ADDED ALT PROFILE, REVISED TITLE	EN 5813	7-28-17	FLP	MR

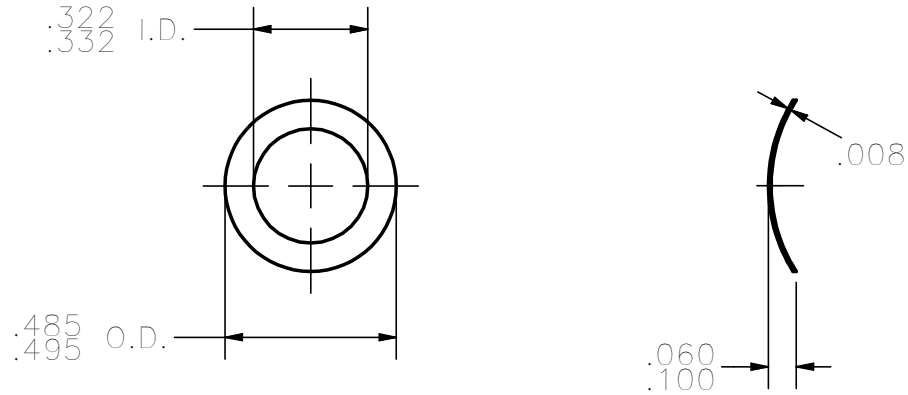
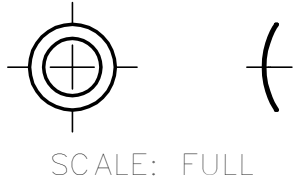
UNLESS OTHERWISE SPECIFIED TOLERANCES ARE AS FOLLOWS:		DATE 10/17/2008
ANGLES:	± 2'	DR. BY JRB
2 PLACE DEC.:	± .03	SCALE 2X
3 PLACE DEC.:	± .015	CHK. BY
ALL HOLES:	± .005	

**EBERHARD MANUFACTURING CO.**  
DIVISION OF  
**THE EASTERN COMPANY**  
CLEVELAND, OHIO 44149-9712

NAME <b>"SEMS" SCREW</b> ②	
MATERIAL <b>STEEL</b>	PART NUMBER <b>22X-253</b>
CHART	

C:\TEMP\328dd7bd-7677-401d-be81-2cea4ebbb009\FASTER\SCREWS\SEMS\22X-253.idw

**CONFIDENTIAL NOTICE:** This drawing and the designs, specifications and engineering information disclosed hereon are the property of Eberhard Manufacturing Company and are not to be disseminated or reproduced without express written consent. The drawing is loaned in confidence and then only for consideration of the matter disclosed hereon. In accepting loan of this drawing, recipient agrees to keep it and the matter disclosed hereon in confidence and not to use nor permit their use in any way detrimental to Eberhard Manufacturing Company, Division of the Eastern Company, 21944 Drake Road, Cleveland, Ohio 44149-9712 © 2011 EBERHARD MFG. CO.



NOTES:

- 1.) PURCHASE FROM SHAKEPROOF INC. OR EQUILVELANT.  
PART No.: 3502-18-02 STYLE #3
- 2.) FINISH: (01) PLAIN

SUPERSEDES DRAWING 5646-7 DATED 8-1-96.

UNLESS OTHERWISE SPECIFIED TOLERANCES ARE AS FOLLOWS:		DATE 8/15/2011	NAME SPRING WASHER	
ANGLES: ± 2°		DR. BY cstanish	EBERHARD MANUFACTURING CO.	
2 PLACE DEC.: ± .03		SCALE 2X	DIVISION OF	
3 PLACE DEC.: ± .015		CHK. BY	THE EASTERN COMPANY	
ALL HOLES: ± .005			CLEVELAND, OHIO 44149-9712	
			MATERIAL SPRING STEEL	PART NUMBER 5646-7

REVISION HISTORY			
REV	DESCRIPTION	EN	DATE
	CONVERTED TO 3D	5521	9/16/2011