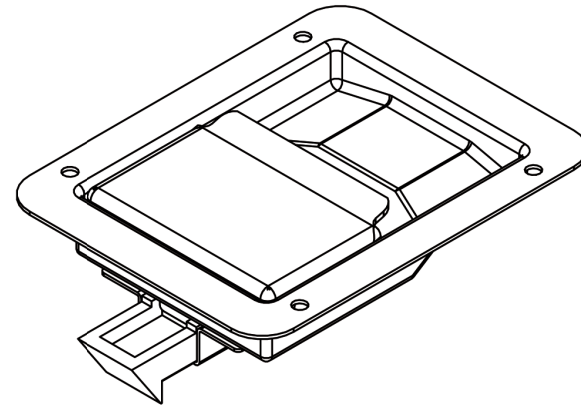
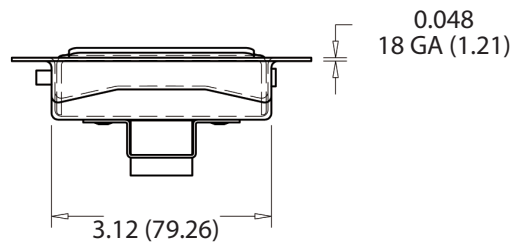
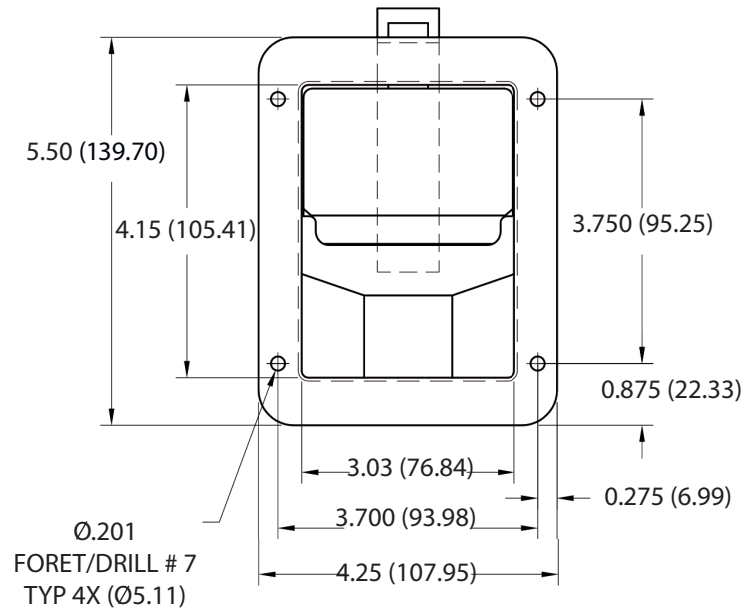
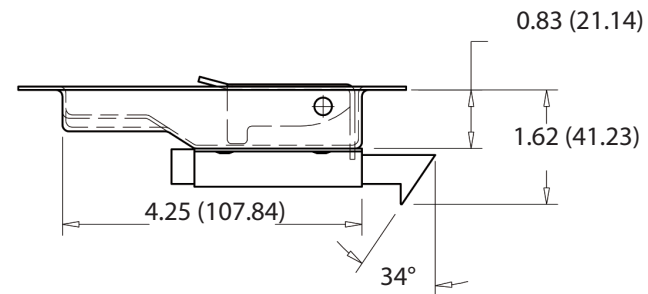


TECHNICAL DRAWING / DESSIN TECHNIQUE



NOTE: MÉCANISME RIVETÉ / RIVETED MECANISM



JIMEXS
HARDWARE

1 866 447-5656 / INFO@JIMEXS.COM

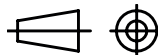
WWW.JIMEXS-HARDWARE.COM

225-191

Paddle handle
Serrure à palette

2022-01-05

PROJECTIONS



DIMENSIONS

5,50" x 4,25"

MATERIAL/MATÉRIEL

Zinc plated steel /

Acier plaqué zinc

SPECIFICATIONS / SPÉCIFICATIONS Non-locking / non-verrouillable