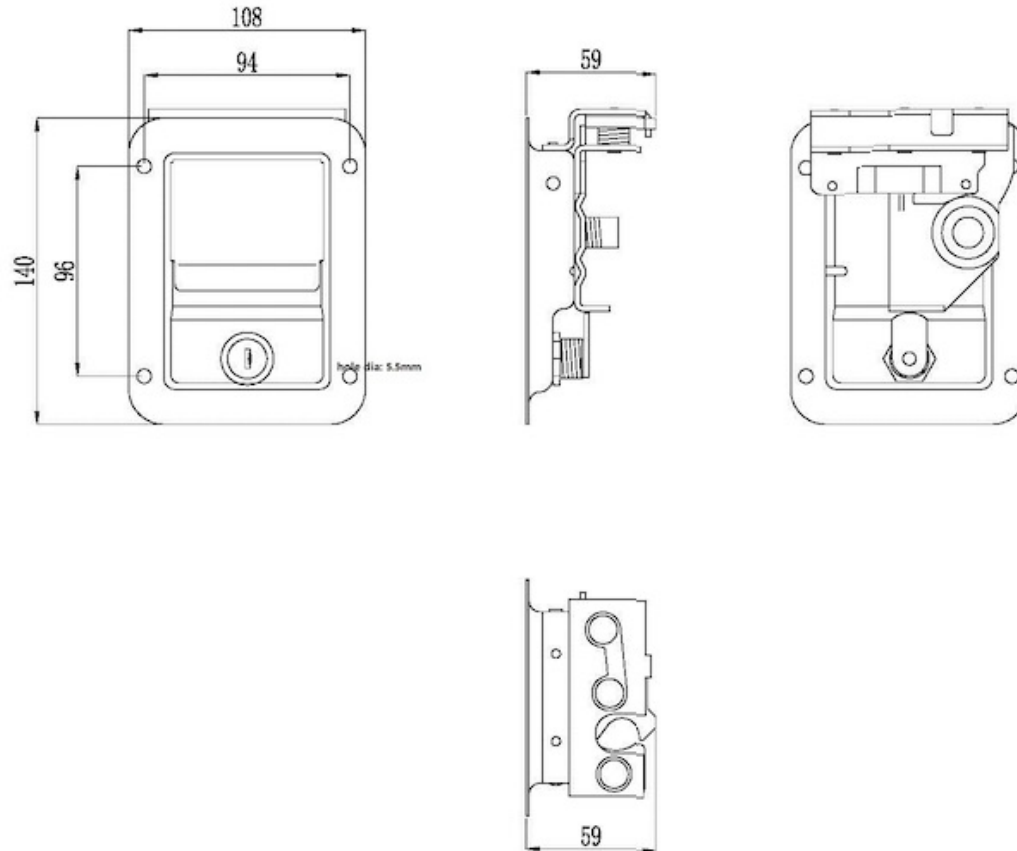


TECHNICAL DRAWING / DESSIN TECHNIQUE



JIMEXS
HARDWARE

1 866 447-5656 / INFO@JIMEXS.COM

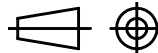
WWW.JIMEXS-HARDWARE.COM

225-351

Paddle handle with rotary latch
Serrure à palette à pêne tournant

2024-01-22

PROJECTIONS



DIMENSIONS

5.50" x 4.25"

MATERIAL / MATÉRIEL
SPEC

Stainless Steel / Acier Inoxydable
Key CH501 / Clé CH501