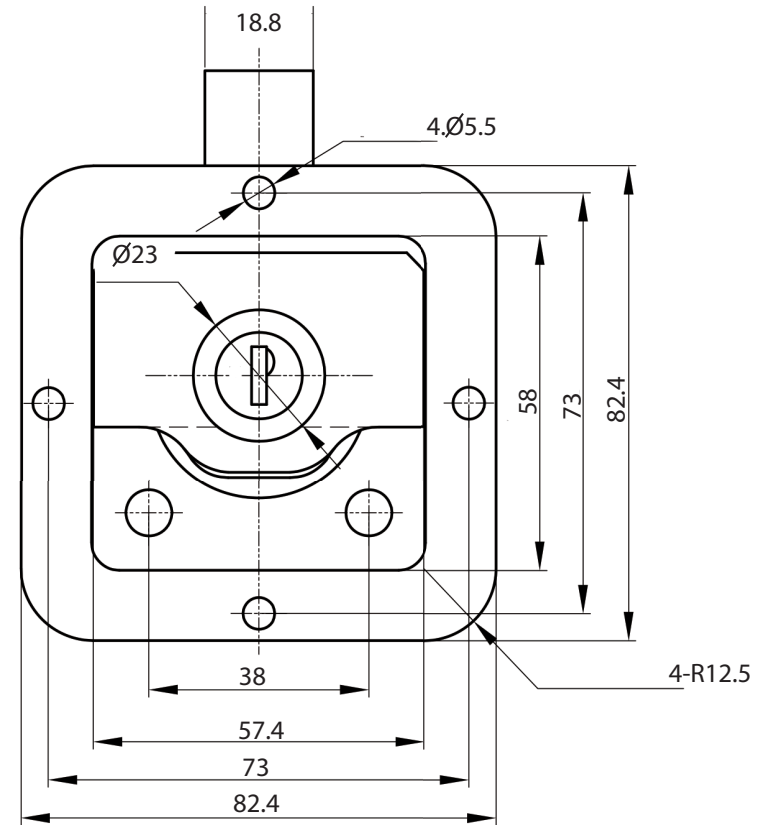
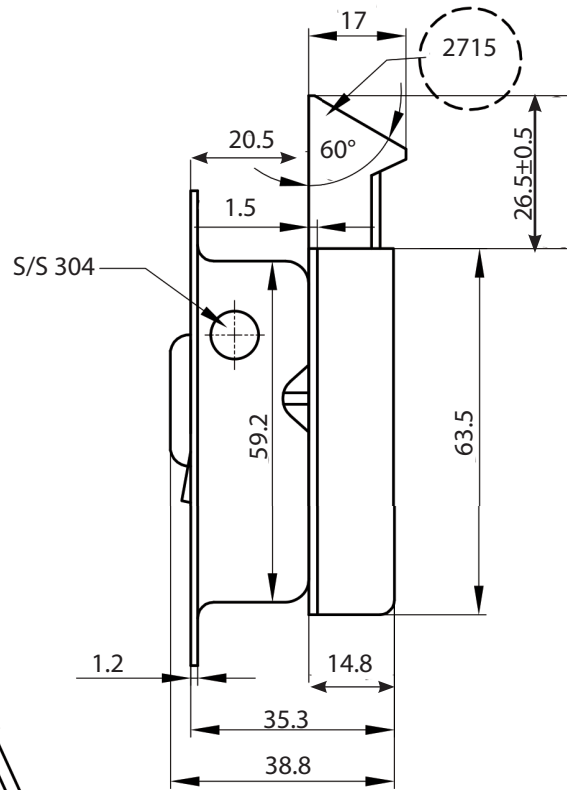
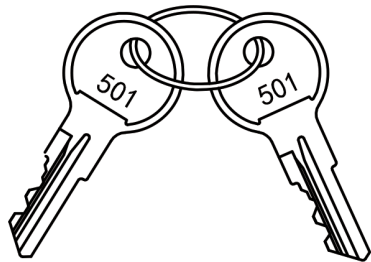


TECHNICAL DRAWING / DESSIN TECHNIQUE



JIMEXS
HARDWARE

1 866 447-5656 / INFO@JIMEXS.COM

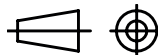
WWW.JIMEXS-HARDWARE.COM

225-401

Paddle handle
 Serrure à palette

2022-01-05

PROJECTIONS



MATERIAL/MATÉRIEL

Polished stainless steel (304) /
 Acier inoxydable poli (304)

SPECIFICATIONS / SPÉCIFICATIONS Locking / Verrouillable #CH501