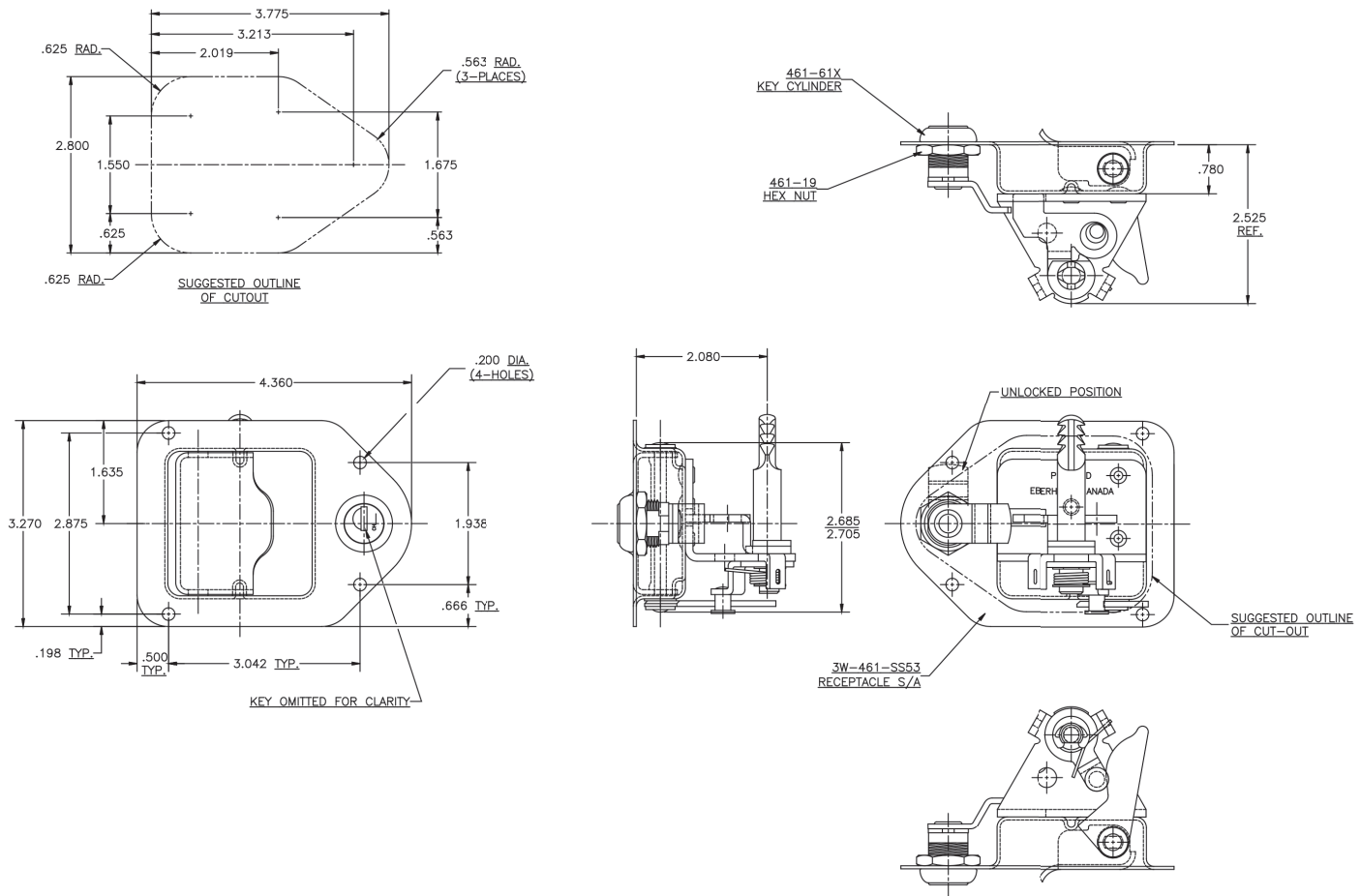


TECHNICAL DRAWING / DESSIN TECHNIQUE



JIMEXS
HARDWARE

1 866 447-5656 / INFO@JIMEXS.COM

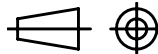
WWW.JIMEXS-HARDWARE.COM

225-761

Paddle handle for tool box
 Serrure a palette pour coffre

2022-01-05

PROJECTIONS



MATERIAL/MATÉRIEL

Stainless steel /
 Acier inoxydable

SPECIFICATIONS / SPÉCIFICATIONS

Locking / Verrouillable