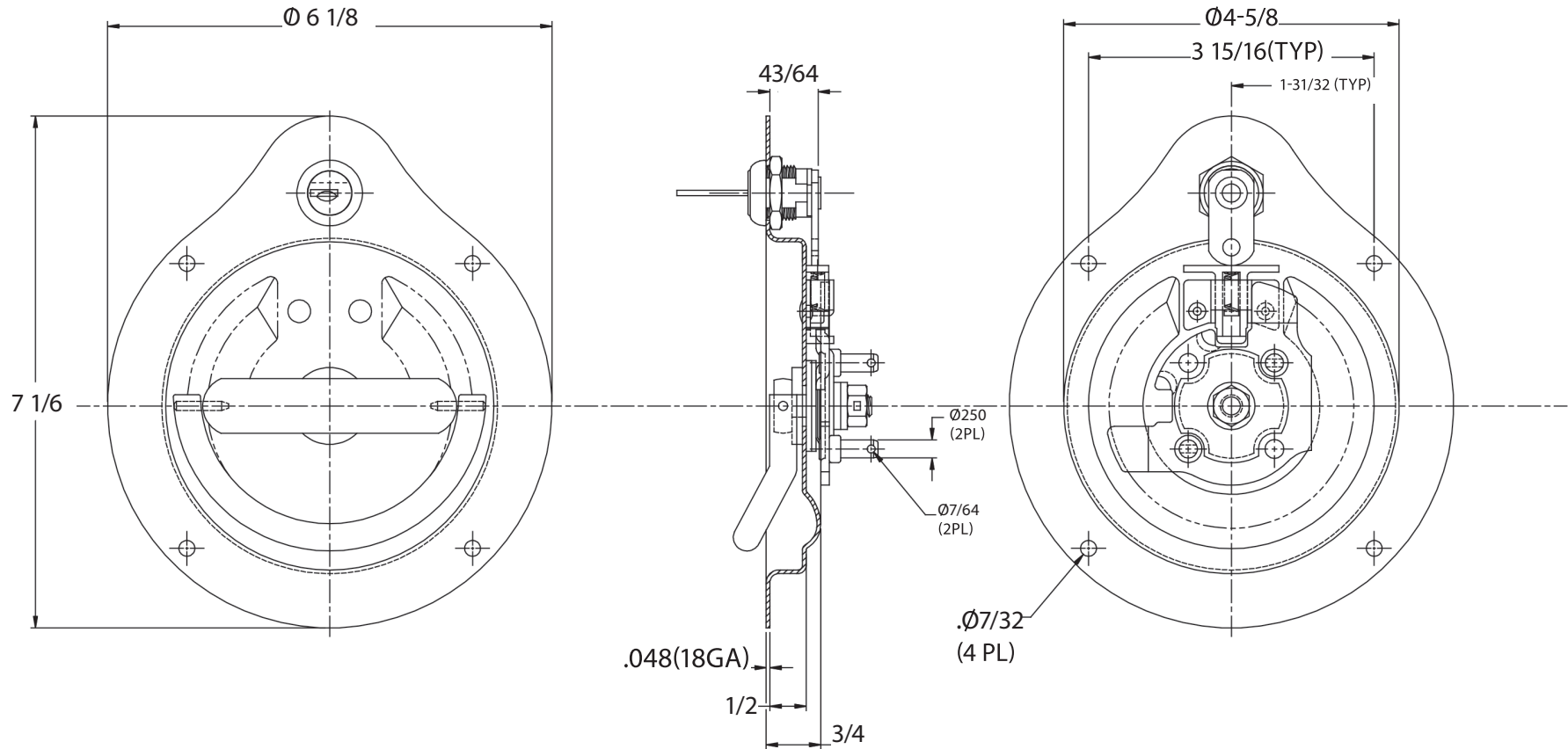


TECHNICAL DRAWING / DESSIN TECHNIQUE



JIMEXS
HARDWARE

1 866 447-5656 / INFO@JIMEXS.COM

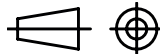
WWW.JIMEXS-HARDWARE.COM

227-246

Recessed D-ring handle
 Serrure en D encastrée

2022-01-05

PROJECTIONS



DIMENSIONS

MATERIAL/MATÉRIEL

SPECIFICATIONS / SPÉCIFICATIONS

Diameter / Diamètre $7 \frac{1}{16}$ "
 Center only / Centre seulement $6 \frac{1}{8}$ "

Stainless steel /
 Acier inoxydable

Locking / Barrable