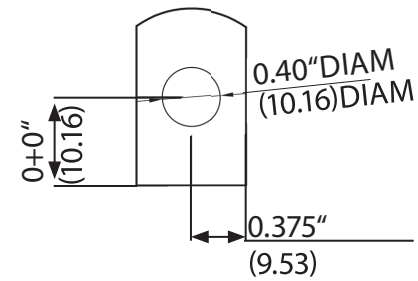
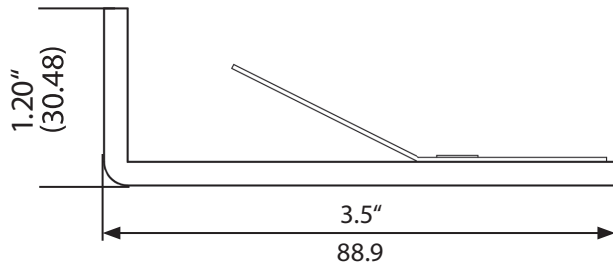
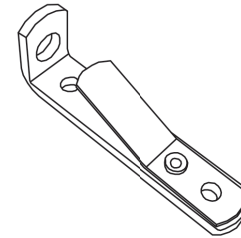
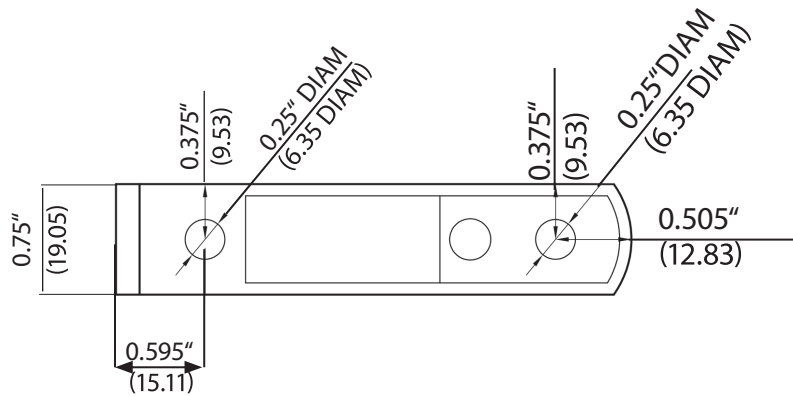


TECHNICAL DRAWING / DESSIN TECHNIQUE



JIMEXS
HARDWARE

1 866 447-5656 / INFO@JIMEXS.COM

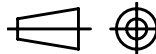
WWW.JIMEXS-HARDWARE.COM

230-501

Guide de tige
 Rod guide

2022-01-06

PROJECTIONS



MATERIAL/MATÉRIEL

Zinc plated steel /
 Acier plaqué zinc