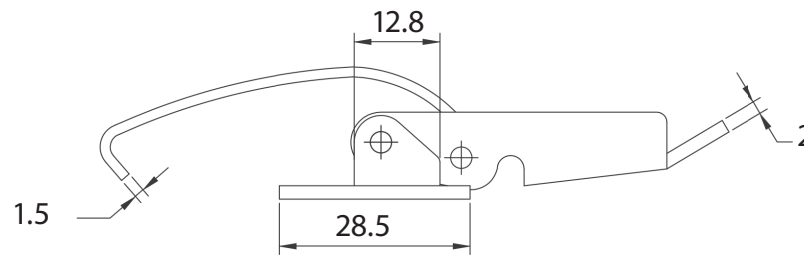
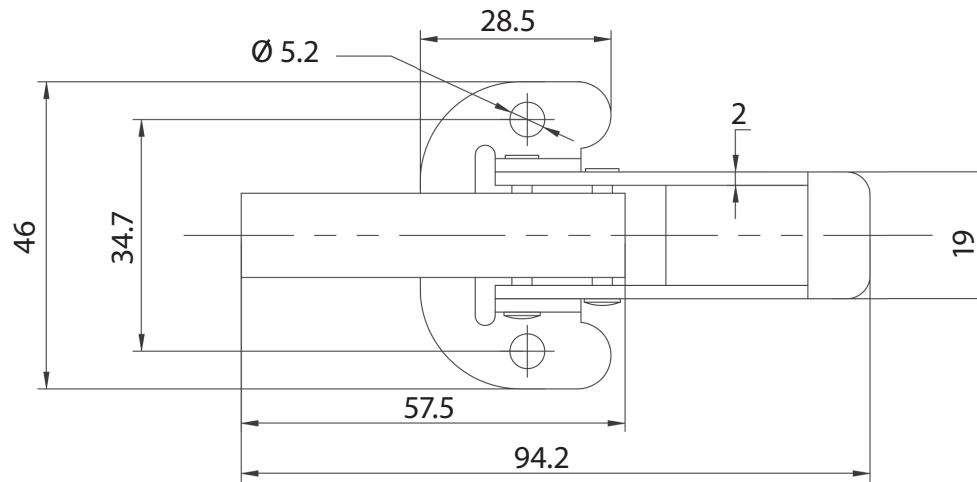


# TECHNICAL DRAWING / DESSIN TECHNIQUE



**JIMEXS**  
**HARDWARE**

1 866 447-5656 / INFO@JIMEXS.COM

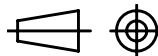
WWW.JIMEXS-HARDWARE.COM

241-101

Catch  
Attache

2021-07-05

PROJECTIONS



MATERIAL/MATÉRIEL

Steel zinc plated /  
Acier plaqué zinc