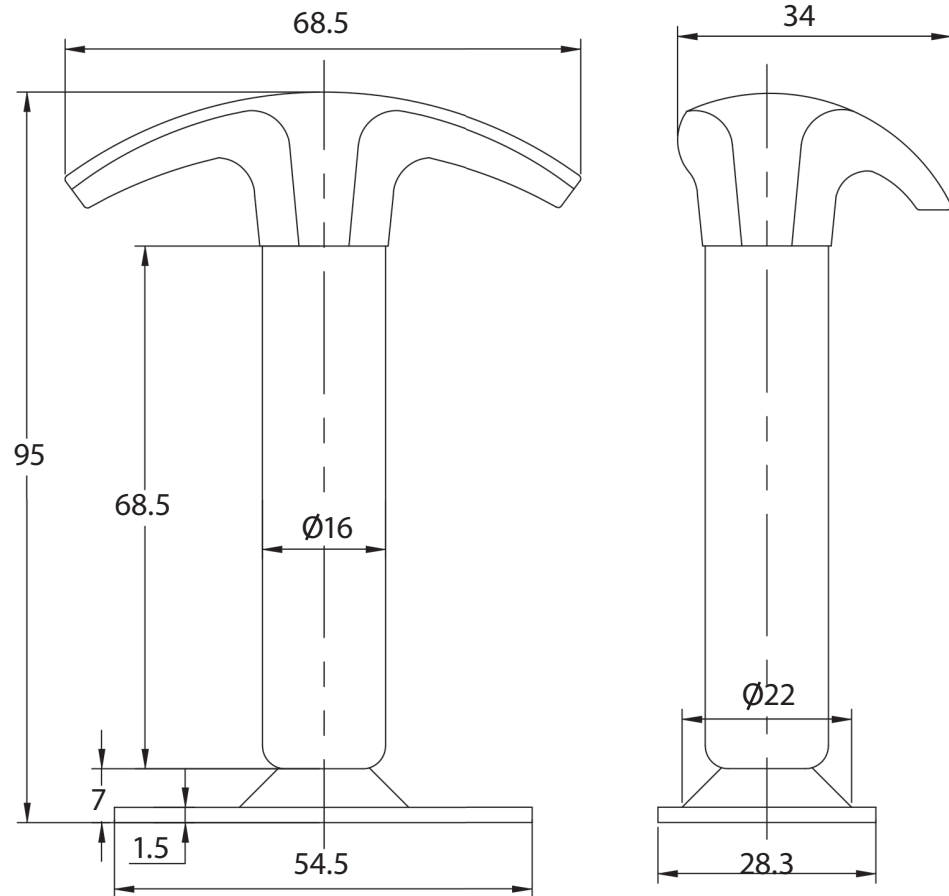
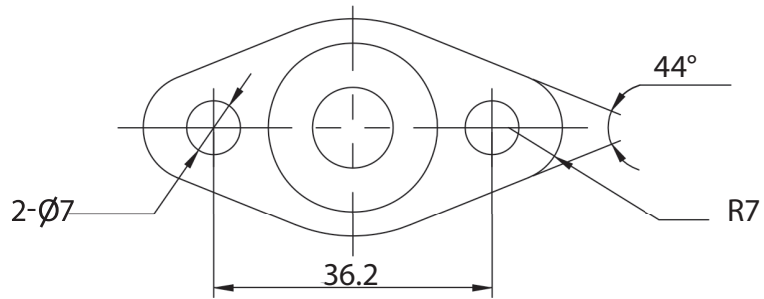


TECHNICAL DRAWING / DESSIN TECHNIQUE



JIMEXS
HARDWARE

1 866 447-5656 / INFO@JIMEXS.COM

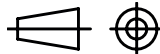
WWW.JIMEXS-HARDWARE.COM

242-191

Latch (Hood)
Attache capot

2022-01-06

PROJECTIONS



COLOR / COULEUR
MATERIAL / MATÉRIEL

Black / noir
Painted steel / Acier peint