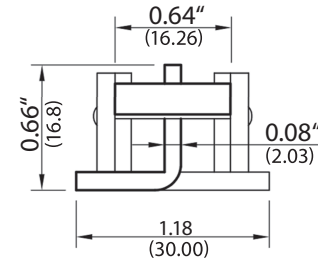
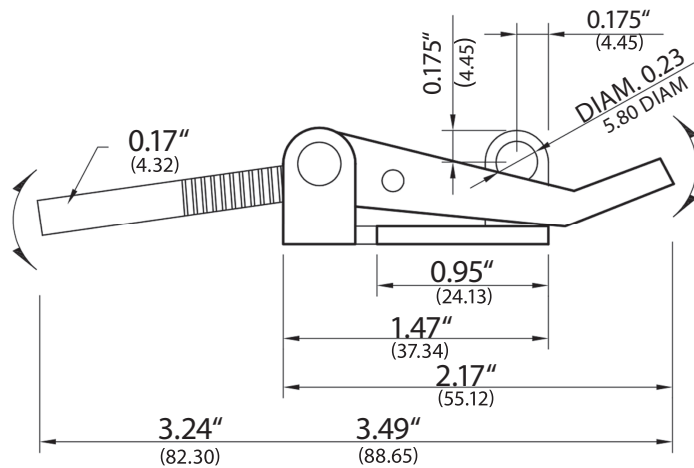
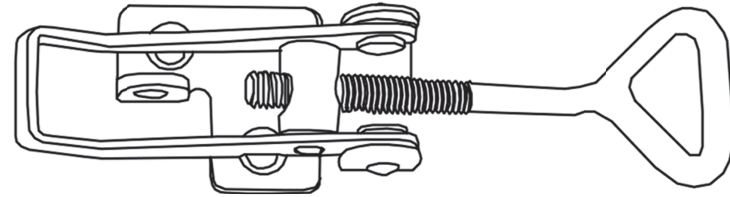
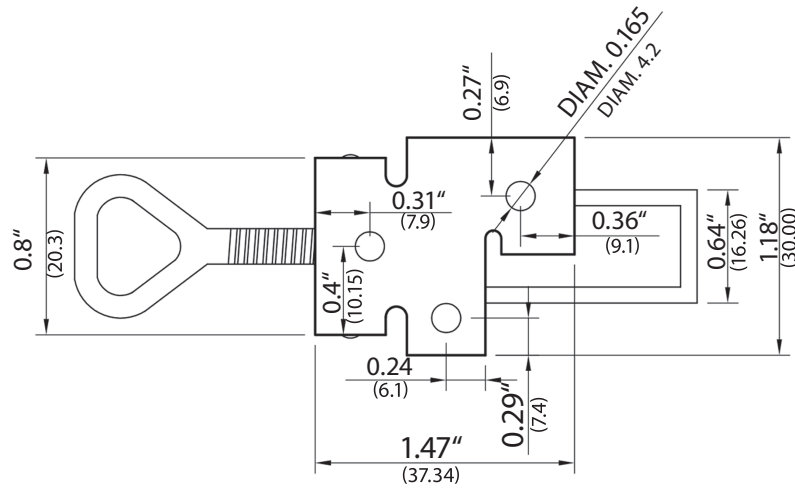


TECHNICAL DRAWING / DESSIN TECHNIQUE



JIMEXS
HARDWARE

1 866 447-5656 / INFO@JIMEXS.COM

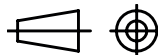
WWW.JIMEXS-HARDWARE.COM

243-101

Adjustable latch - locking
Attache ajustable - verrouillable

2022-01-06

PROJECTIONS



DIMENSIONS

MATERIAL/MATÉRIEL

3-1/2"

Steel zinc plated / Acier plaqué zinc