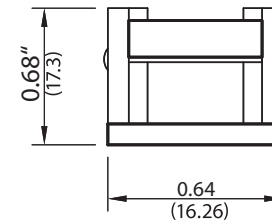
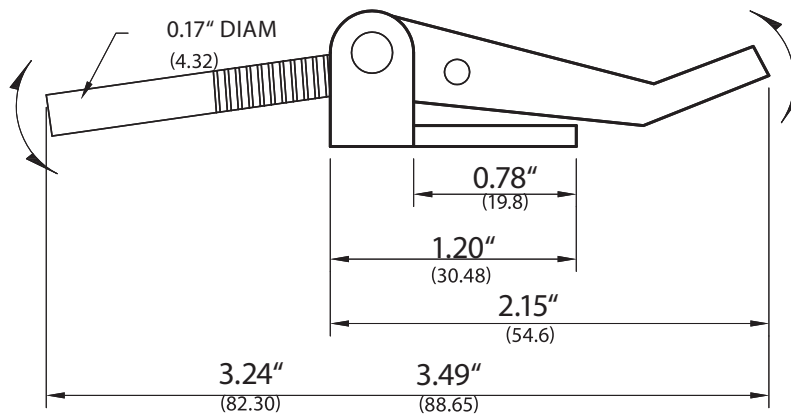
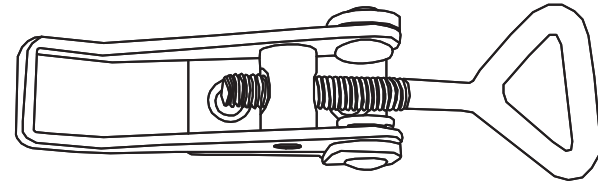
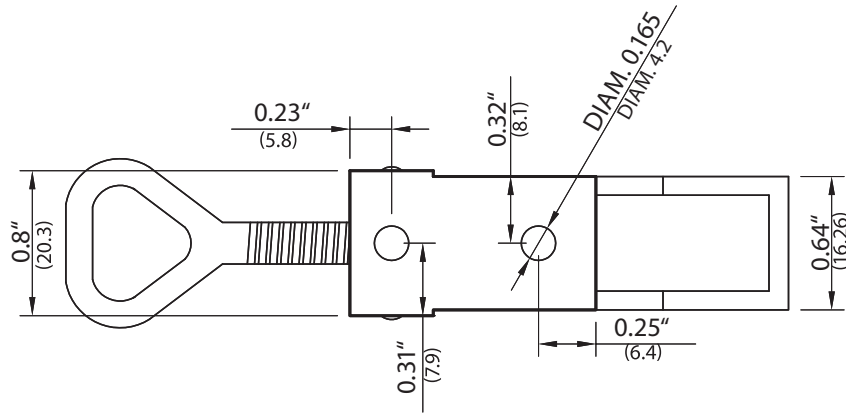


TECHNICAL DRAWING / DESSIN TECHNIQUE



JIMEXS
HARDWARE

1 866 447-5656 / INFO@JIMEXS.COM

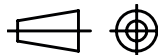
WWW.JIMEXS-HARDWARE.COM

243-116

Adjustable latch non-locking
Attache ajustable non-verrouillable

2022-01-06

PROJECTIONS



DIMENSIONS
MATERIAL/MATÉRIEL

3.5"
Stainless steel (304) /
Acier inoxydable (304)