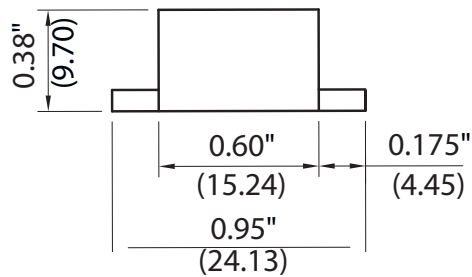
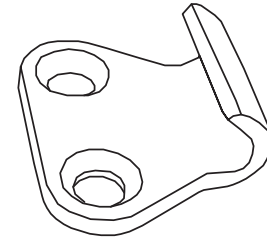
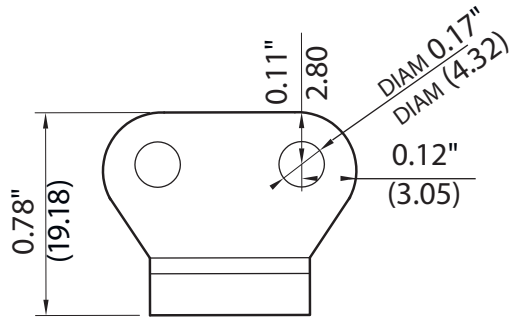


TECHNICAL DRAWING / DESSIN TECHNIQUE



JIMEXS
HARDWARE

1 866 447-5656 / INFO@JIMEXS.COM

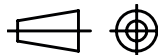
WWW.JIMEXS-HARDWARE.COM

243-136

Striker
 Gâche

2022-01-06

PROJECTIONS



MATERIAL/MATÉRIEL

Stainless steel (304)
 Acier inoxydable (304)