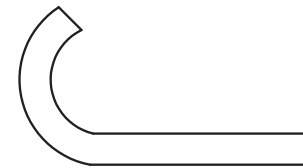
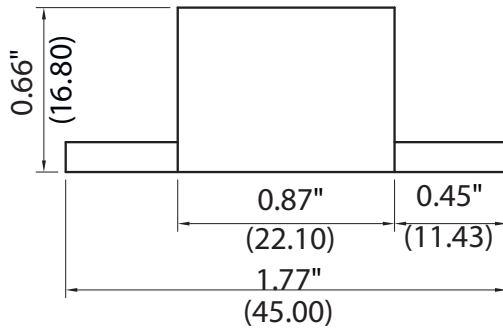
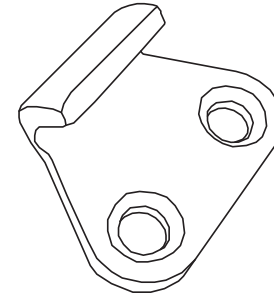
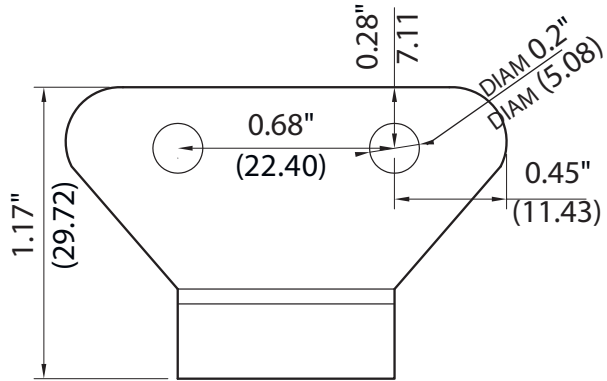


# TECHNICAL DRAWING / DESSIN TECHNIQUE



**JIMEXS**  
**HARDWARE**

1 866 447-5656 / INFO@JIMEXS.COM

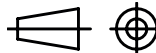
WWW.JIMEXS-HARDWARE.COM

243-191

Striker  
 Gâche

2022-01-06

PROJECTIONS



MATERIAL/MATÉRIEL

Zinc plated steel  
 Acier plaqué zinc