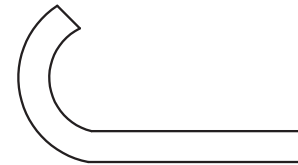
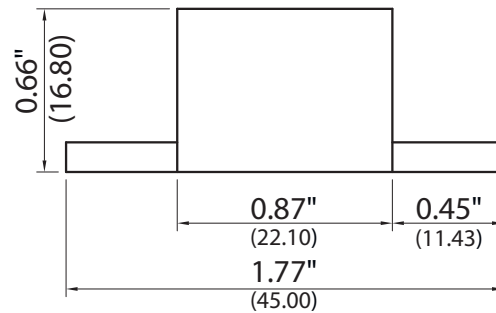
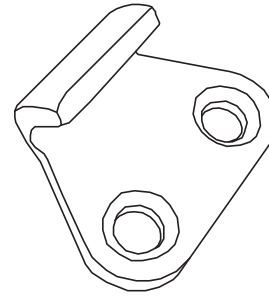
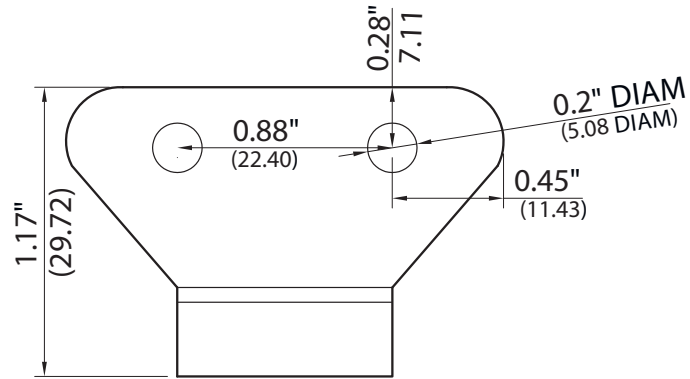


# TECHNICAL DRAWING / DESSIN TECHNIQUE



**JIMEXS**  
**HARDWARE**

1 866 447-5656 / INFO@JIMEXS.COM

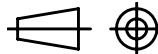
WWW.JIMEXS-HARDWARE.COM

243-196

Striker  
Gâche

2022-01-06

PROJECTIONS



MATERIAL/MATÉRIEL

Stainless steel (304) /  
Acier inoxydable (304)