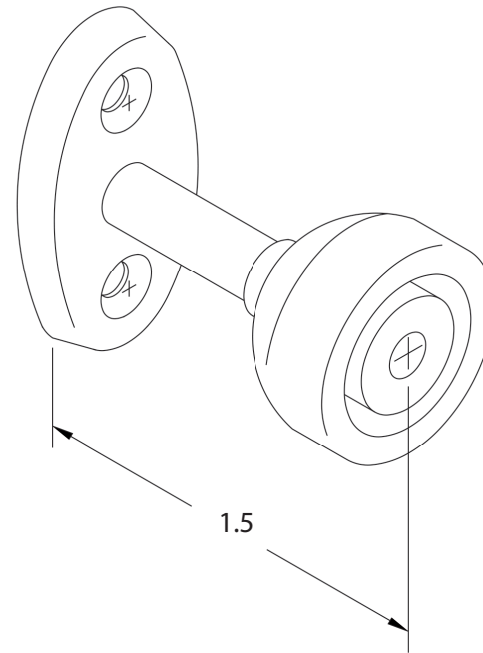
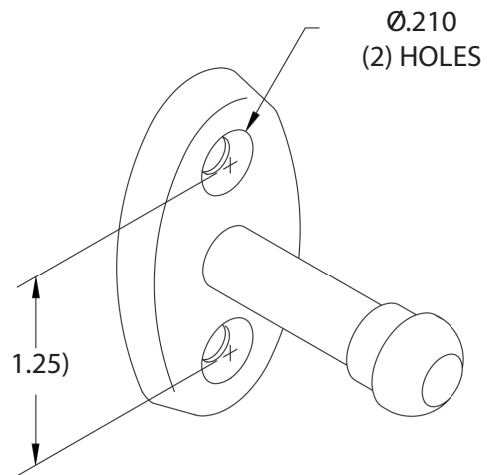


# TECHNICAL DRAWING / DESSIN TECHNIQUE



**JIMEXS**  
**HARDWARE**

1 866 447-5656 / INFO@JIMEXS.COM

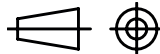
WWW.JIMEXS-HARDWARE.COM

251-201

Door holder  
Arrêt de porte

2022-01-06

PROJECTIONS



DIMENSIONS  
MATERIAL/MATÉRIEL

1" L - 1,25" CC ( kit = 1,5")  
Steel - zinc plated /  
Acier plaqué zinc