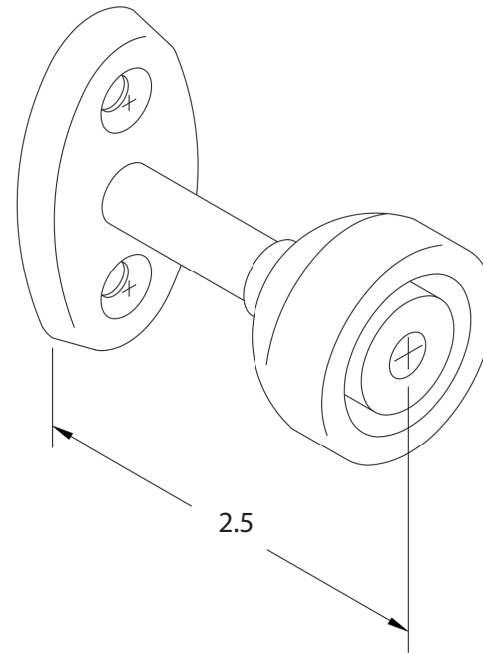
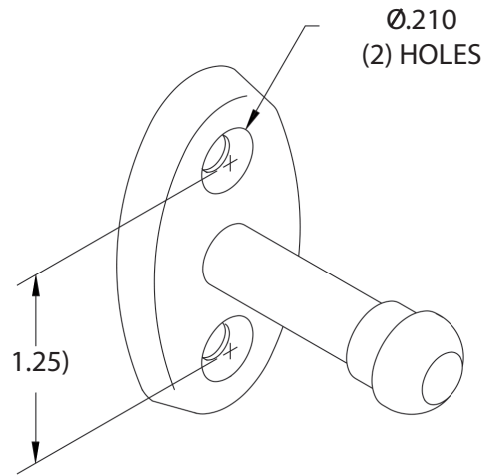


TECHNICAL DRAWING / DESSIN TECHNIQUE



JIMEXS
HARDWARE

1 866 447-5656 / INFO@JIMEXS.COM

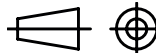
WWW.JIMEXS-HARDWARE.COM

251-211

Door holder
Arrêt de porte

2022-01-06

PROJECTIONS



DIMENSIONS

MATERIAL/MATÉRIEL

2" L - 1,25" CC (kit = 2,5")

Steel zinc plated

Acier plaqué zinc