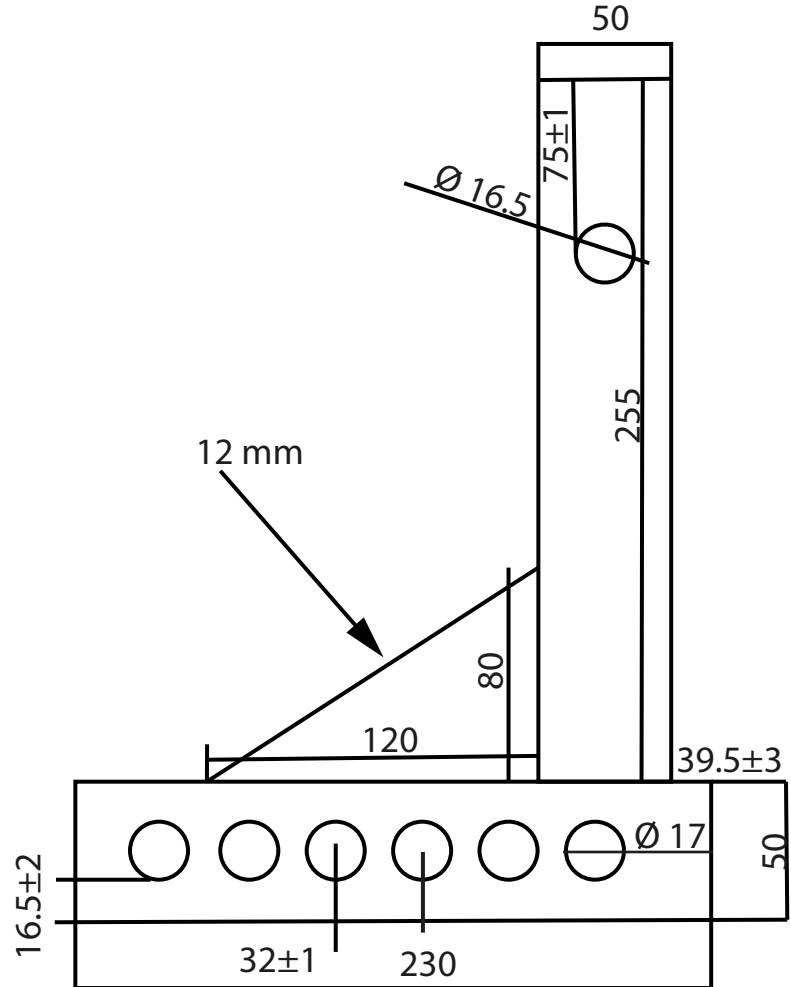


# TECHNICAL DRAWING / DESSIN TECHNIQUE



**JIMEXS**  
**HARDWARE**

1 866 447-5656 / INFO@JIMEXS.COM

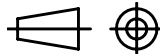
WWW.JIMEXS-HARDWARE.COM

403-071

Adjustable Tri-Ball Hitch Mount  
Support à trois boules ajustable

2022-01-07

PROJECTIONS



DIMENSIONS

MATERIAL/MATÉRIEL

SPECIFICATIONS / SPÉCIFICATIONS 12" adjustment / Ajustement

1-7/8", 2" et 2-5/16"

Chrome steel / Acier chromé