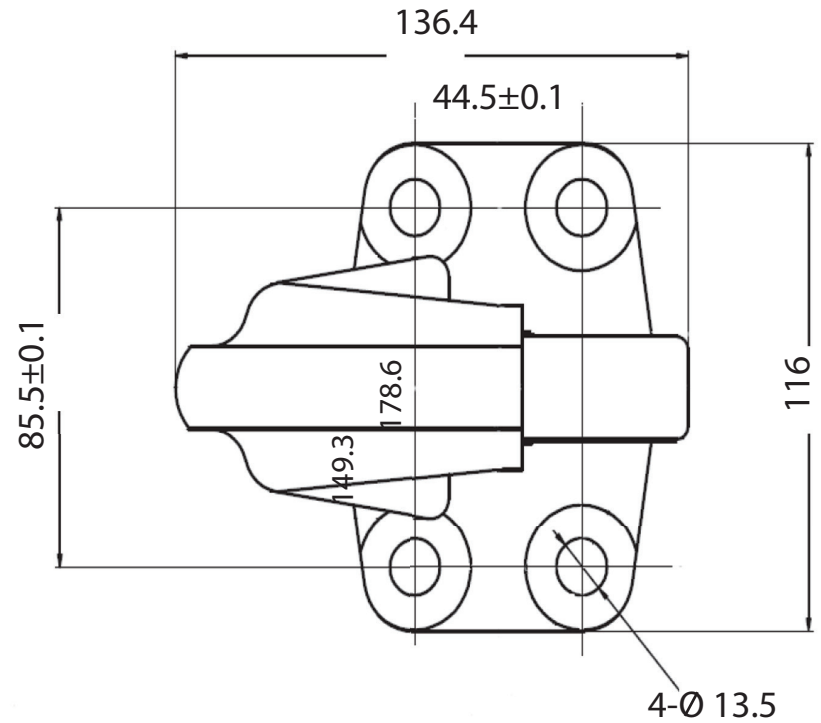
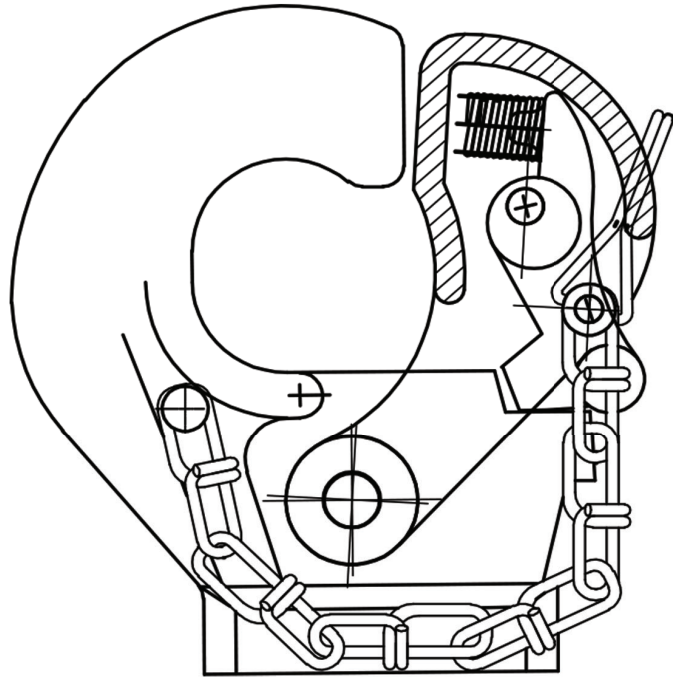


TECHNICAL DRAWING / DESSIN TECHNIQUE



**JIMEXS**  
**HARDWARE**

1 866 447-5656 / INFO@JIMEXS.COM

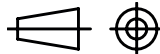
WWW.JIMEXS-HARDWARE.COM

403-169

Pintle hook  
Crochet d'attelage

2022-01-07

PROJECTIONS



MATERIAL/MATÉRIEL

Forged Steel / Acier forgé

SPECIFICATIONS / SPÉCIFICATIONS WLL 30 Tons / Tonnes