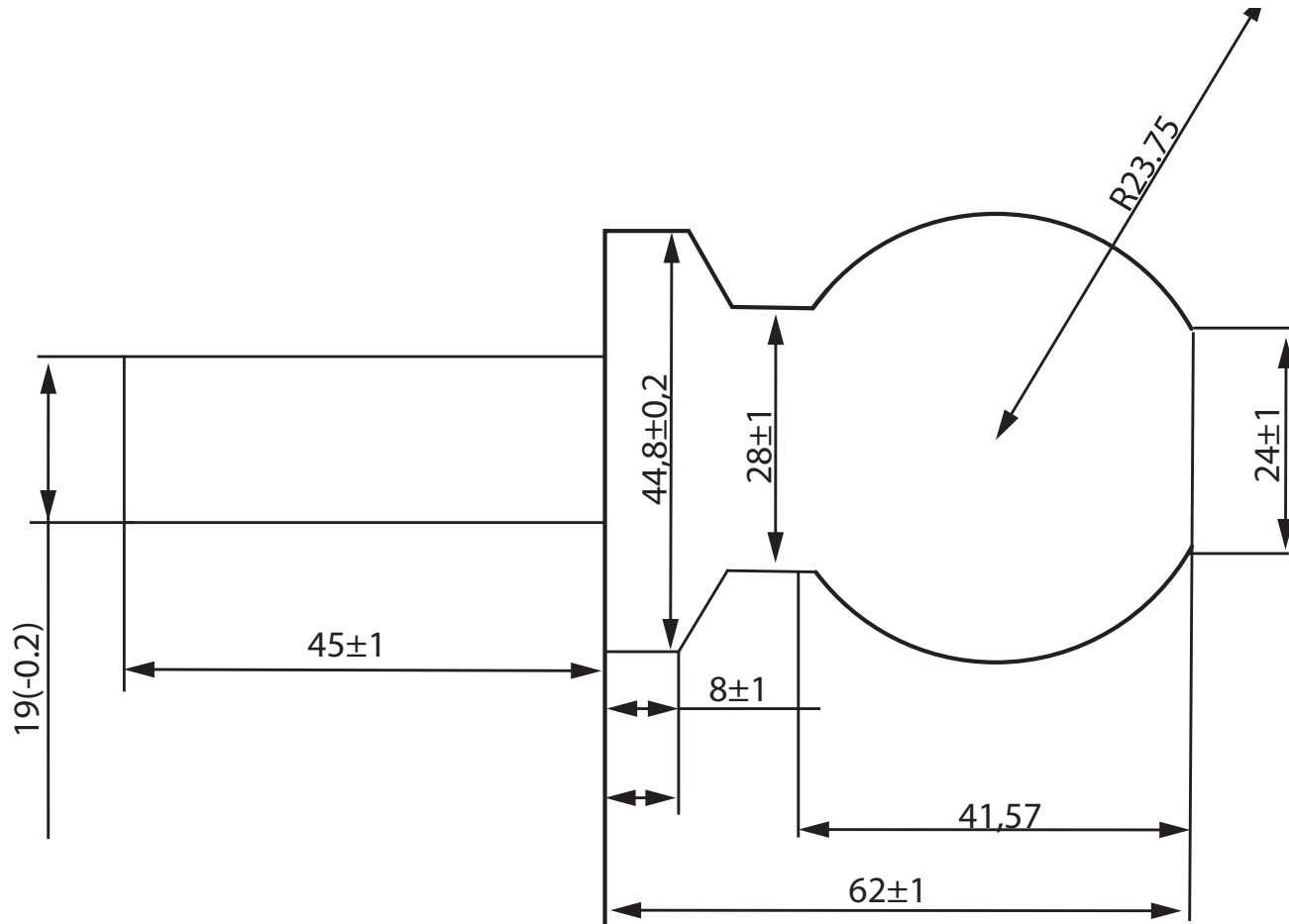


TECHNICAL DRAWING / DESSIN TECHNIQUE



JIMEXS
HARDWARE

1 866 447-5656 / INFO@JIMEXS.COM

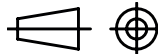
WWW.JIMEXS-HARDWARE.COM

403-301

Hitch ball
Boule d'attelage de remorque

2022-01-07

PROJECTIONS



DIMENSIONS

MATERIAL/MATÉRIEL

SPECIFICATIONS / SPÉCIFICATIONS WLL 2000 lb

1-7/8" - shank 3/4" x 1-3/4"/Corps de boulon

Chrome plated steel / Acier plaqué chrome