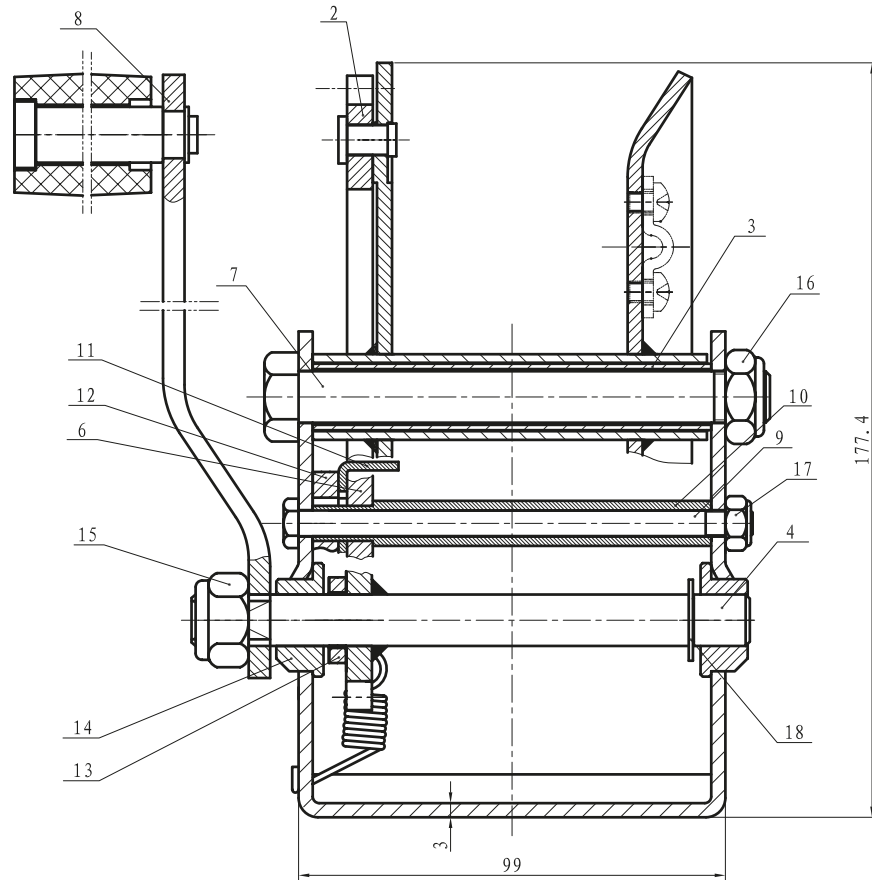
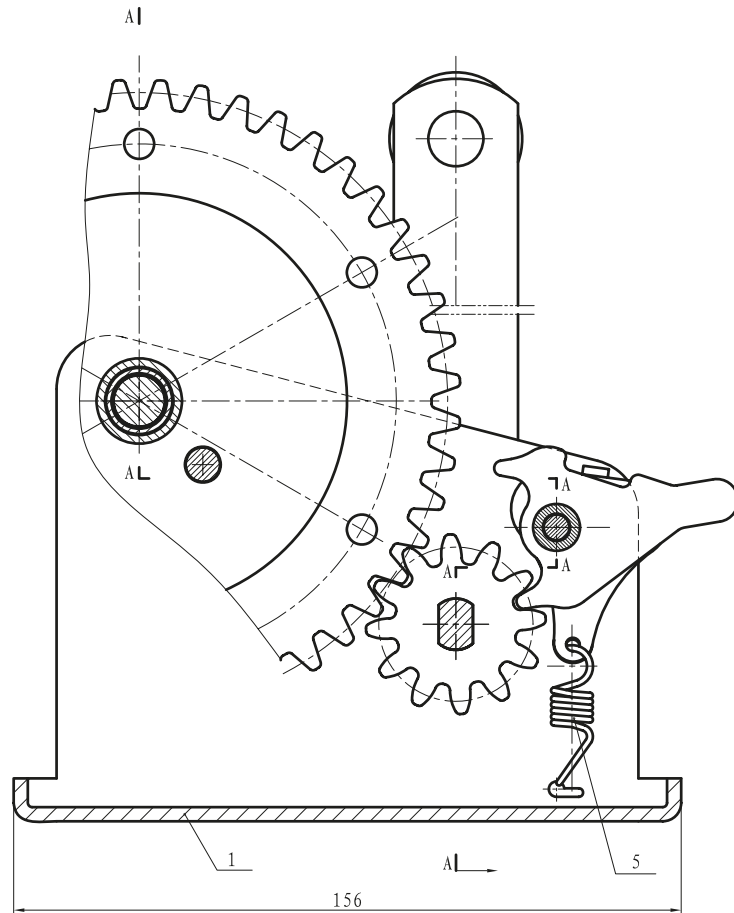


# TECHNICAL DRAWING / DESSIN TECHNIQUE



**JIMEXS**  
**HARDWARE**

1 866 447-5656 / INFO@JIMEXS.COM

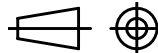
WWW.JIMEXS-HARDWARE.COM

407-109

Treuil avec courroie et crochet  
Winch with strap and hook

2022-01-26

PROJECTIONS



DIMENSIONS

5/16" x 20' - 3.2:1

MATERIAL / MATÉRIEL Acier plaqué zinc / Steel zinc plated

SPECS

1400 lbs